

ADDENDUM

xWatch® Explosion-Proof Camera with X-Series Flame Detectors

DESCRIPTION

The xWatch® Explosion-Proof Camera is available as a factory installed option with X3301, X3302, X2200, X5200, X5202, and X9800 (X-Series) Series flame detectors. With this arrangement, the camera and detector share the same field of view.

The xWatch Surveillance Camera produces a high resolution color video picture using a camera module that is mounted inside an explosion-proof Type 4X rated housing. The device's explosion-proof rating makes it suitable for Class I, Div. 1, Groups B, C, and D locations.

In the event of a fire or gas alarm, the operator can immediately view the monitored area to determine whether personnel are present and safe. An accurate evaluation of the hazard's size, nature, location, and severity can be determined quickly and safely.

The use of a digital video recorder (DVR) to capture the event provides a permanent record for future analysis of what occurred.

GENERAL APPLICATION INFORMATION

The xWatch has a balanced differential video output for driving a long distance twisted pair signal to a remote site for monitoring and/or recording. The video output format can be either NTSC (National Television Systems Committee) or PAL (Phase Alternating Line).



The xWatch video driver is designed for use with twisted pair cable of 100 ohm impedance. The best video performance in terms of distance, video quality, and cost is attained using 22 AWG to 16 AWG, twisted pair cable of 100 ohm impedance. The monitor end must terminate the video cable with 100 ohms. Since most monitors have a built-in termination resistor of 75 ohms instead of 100 ohms, a balun or other matching network (video converter) must be used.

A variety of matrix control systems or DVRs can be suitable for viewing or recording the video signal, depending on the requirements of the individual application. The detector's auxiliary relay contacts are typically used to signal the video system of an alarm event.

Refer to Figure 1 for a schematic of a typical system.

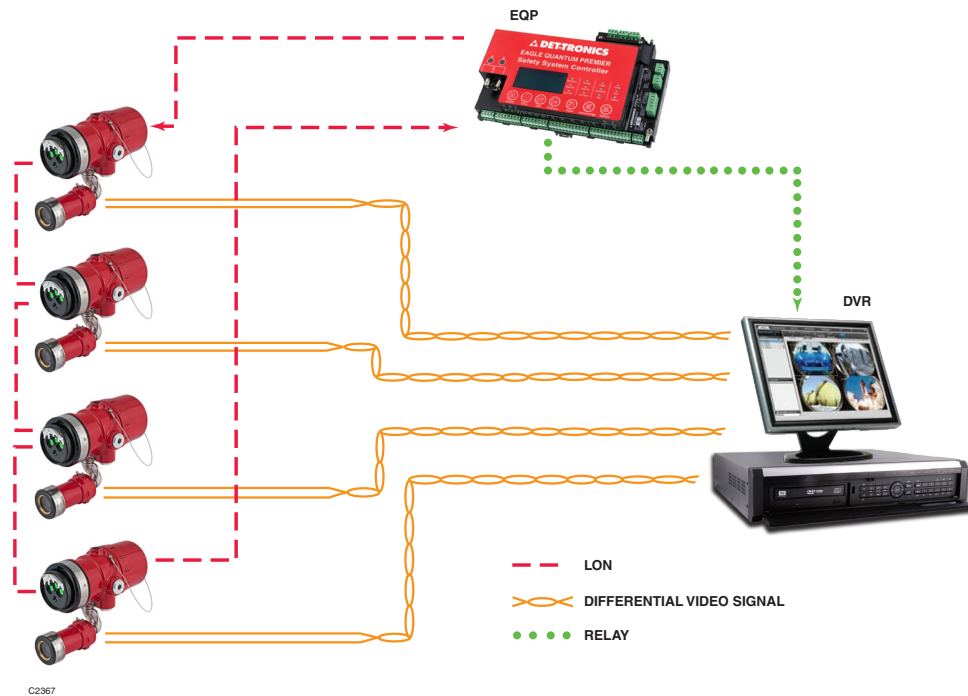


Figure 1—Schematic of a Typical System

SPECIFICATIONS

OPERATING TEMPERATURE—
 -20°C to +70°C (-4°F to +158°F)

HAZARDOUS LOCATION RATING—
 -40°C to +75°C (-40°F to +167°F)
 (-55°C to +75°C CSA)

STORAGE TEMPERATURE—
 -30°C to +80°C

RELATIVE HUMIDITY—
 5 to 95%, non-condensing

INGRESS PROTECTION—
 Type 4X

SENSOR—
 Color low light CCD

RESOLUTION—
 NTSC: 768 by 494 pixels, 570 lines of resolution
 PAL: 752 by 582 pixels, 570 lines of resolution

VIDEO OUTPUT—
 NTSC or PAL two wire twisted pair

SHUTTER—
 Electronic shutter, 1/60 – 1/100,000 second

OPERATING VOLTAGE—
 24 Vdc nominal, 18 to 30 Vdc

POWER CONSUMPTION—
 2.8 watts (Camera only)

FIELD OF VIEW—
 90 degrees

USER INTERFACE—
 Conventional off-the-shelf video switchers and controllers can be used for the interface.

HOUSING MATERIAL—
 Aluminum or 316 Stainless Steel

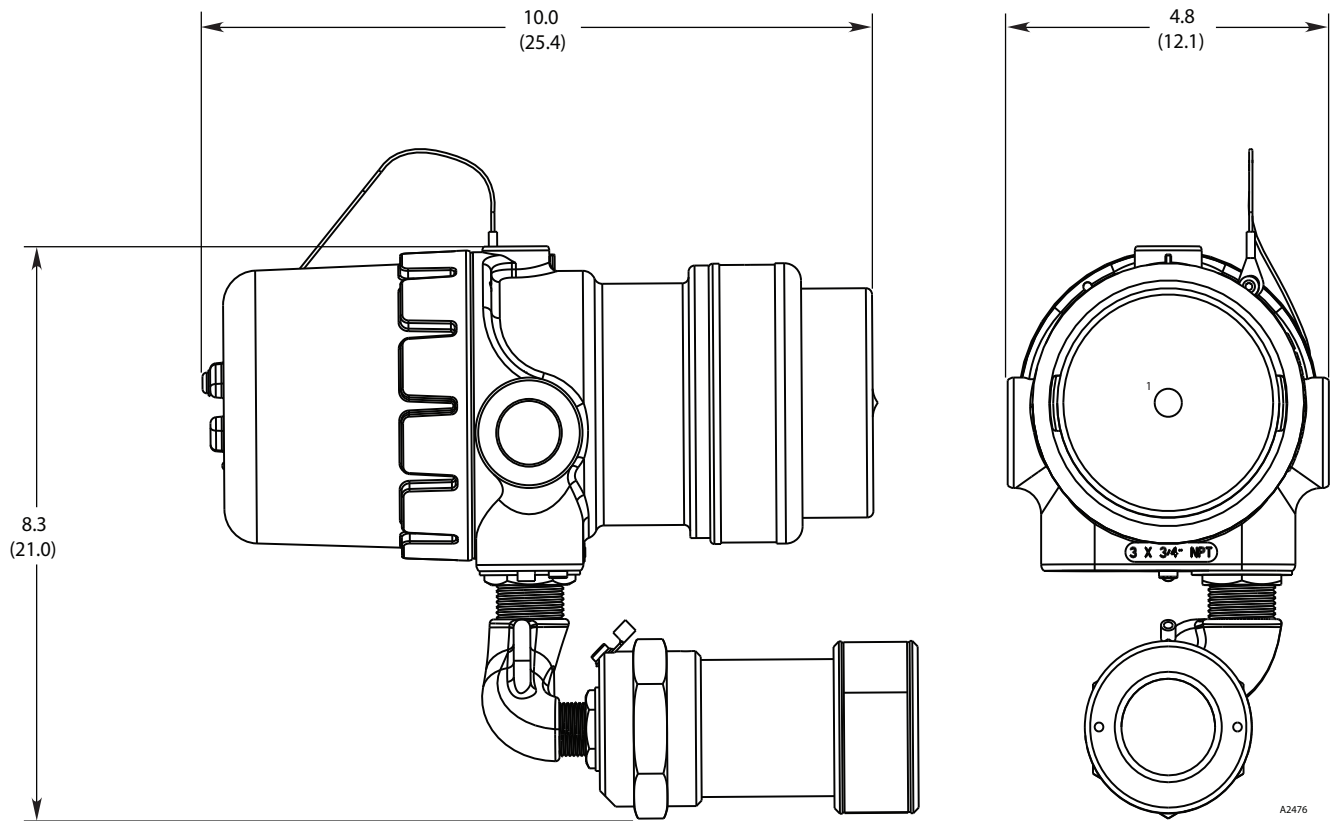
PERFORMANCE AND POWER CONSUMPTION (Detector only)—
 Refer to Instruction Manual for specific detector model:

Detector	Instruction Manual
X3301 Series	95-8527 or 95-8704
X3302 Series	95-8576 or 95-8768
X5200 Series	95-8546
X5202 Series	95-8788
X2200 Series	95-8549
X9800 Series	95-8554

SHIPPING WEIGHT—
 Aluminum: 7 pounds (3.2 kg)
 Stainless Steel: 12 pounds (5.5 kg)

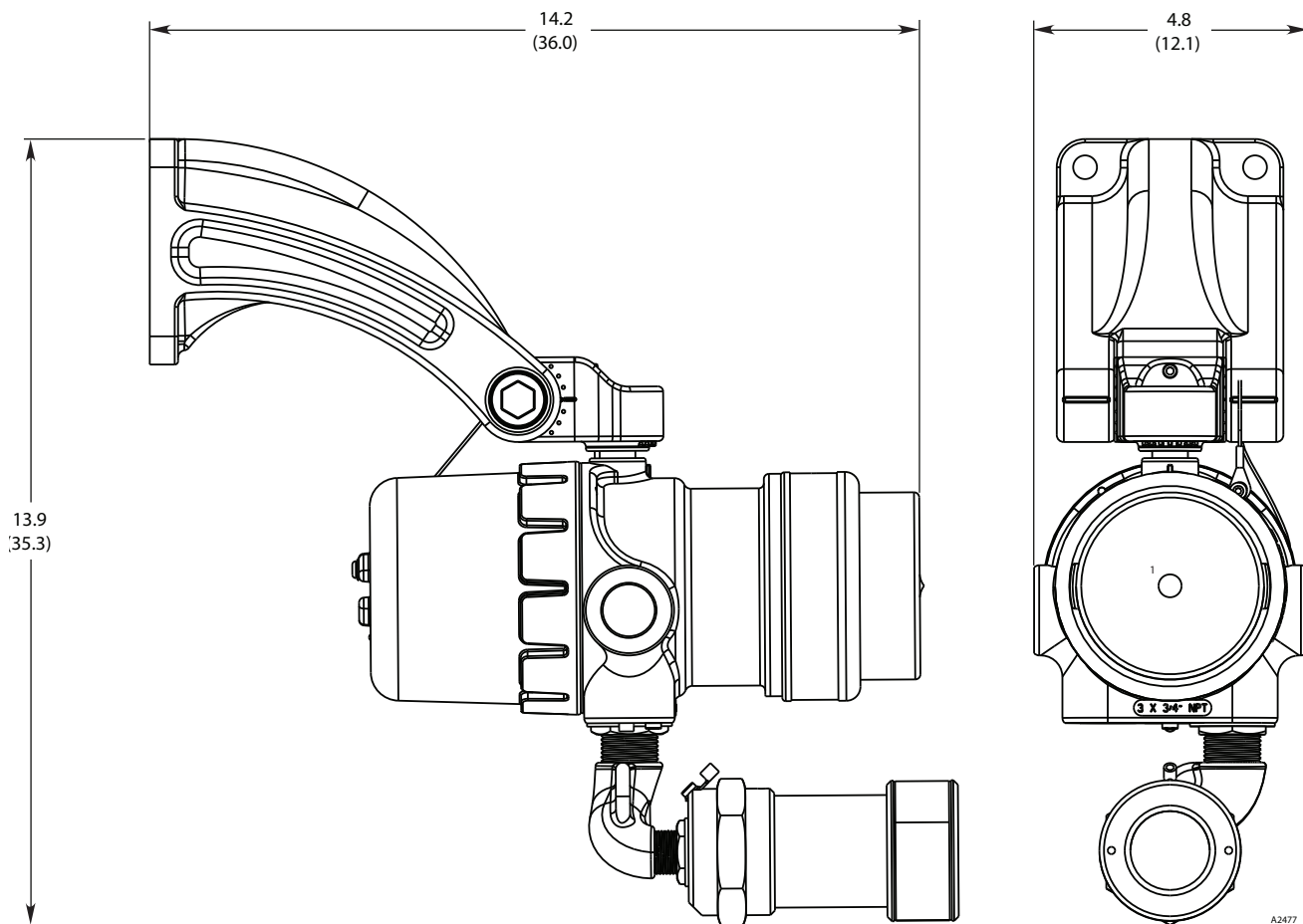
DIMENSIONS
 See Figures 2 and 3

CERTIFICATIONS—
 FM/CSA: Class I, Div. 1, Groups B, C and D (T5).
 Class II/III, Div. 1, Groups E, F, and G (T5).
 NEMA/Type 4X.
 Note: X3301 (with camera) Temperature Class is T4A.



¹NOTE: DETECTOR SHOWN WITH THE FACTORY SUPPLIED PROTECTIVE COVER.
REMOVE THE PROTECTIVE COVER BEFORE OPERATING THE SYSTEM.

Figure 2—Dimensions of xWatch with X-Series Flame Detector in Inches (Centimeters)



¹NOTE: DETECTOR SHOWN WITH THE FACTORY SUPPLIED PROTECTIVE COVER.
REMOVE THE PROTECTIVE COVER BEFORE OPERATING THE SYSTEM.

Figure 3—Dimensions of xWatch with X-Series Flame Detector with Mounting Arm in Inches (Centimeters)

INSTALLATION

CAUTION

Installation and wiring of the flame detection system should be performed only by qualified personnel. Refer to the flame detector instruction manual for general installation instructions.

VIDEO CABLE CONSIDERATIONS

Proper video cable will ensure that the best quality video is displayed on a remote monitor. Because composite video frequencies span the range of 25 Hz to 6 MHz, most cables will display transmission line characteristics. Ensure that the same cable type (impedance) is used throughout the entire length. For example, do not mix twisted pair cable and coaxial cable without using a balun for matching. In addition, the monitor end must be properly terminated. Failure to properly implement the video cabling system may result in smearing (loss of detail) and/or loss of color and/or loss of picture sync.

The xWatch employs a balanced differential video driver designed to drive twisted pair cable of 100 ohm impedance. The best video performance in terms of distance, video quality, and cost is attained using a 22 AWG to 16 AWG unshielded twisted pair cable of 100 ohm impedance. The wiring can be Category 2 or better, stranded or solid.

The monitor end must terminate the video cable with 100 ohms. Most monitors have a built in termination resistor. If the monitor uses 75 ohms instead of 100, a balun or other matching network must be used.

Galvanic isolation of the video may also be necessary to avoid horizontal bars caused by line frequency interference. This may be accomplished using isolating active transceiving systems or passive video isolation transformers/baluns. Specify a baseband video isolation system with a frequency response of at least 25 Hz to 6 MHz. Small cable TV transformers will generally not work as their frequency response is not low enough.

WIRING PROCEDURE

CAUTION

Power must not be applied to the device while the housing is open.

ATTENTION

Observe precautions for handling electrostatic sensitive devices.

1. Wire the flame detector as shown in the detector manual.
2. Connect the external wiring for the xWatch to the appropriate screw connectors on the terminal block. See Figures 4 and 5.

IMPORTANT

Do not test any wiring connected to the xWatch with a meg-ohmmeter. Disconnect wiring at the camera before checking system wiring for continuity.

3. Complete installation and commissioning of the system as described in the detector instruction manual.

9	mA +	19	mA -	29	VIDEO +
8	mA + REF	18	mA - REF	28	VIDEO -
7	COM FIRE	17	COM FIRE	27	COM AUX
6	NO FIRE	16	NO FIRE	26	NO AUX
5	NC FIRE	15	NC FIRE	25	NC AUX
4	COM FAULT	14	COM FAULT	24	RS485 A
3	NO FAULT	13	NO FAULT	23	RS485 B
2	+Vin	12	+Vin	22	MAN O _i
1	-Vin	11	-Vin	21	-Vin

D2386

Figure 4—Wiring Terminal Identification for Standard Flame Detectors

SHIELD	6	18	SHIELD
COM 1 A	5	17	COM 2 A
COM 1 B	4	16	COM 2 B
PWR SHIELD	3	15	PWR SHIELD
+Vin	2	14	+Vin
-Vin	1	13	-Vin
		12	VIDEO +
		11	VIDEO -

B2387

Figure 5—Wiring Terminal Identification for EQP Models

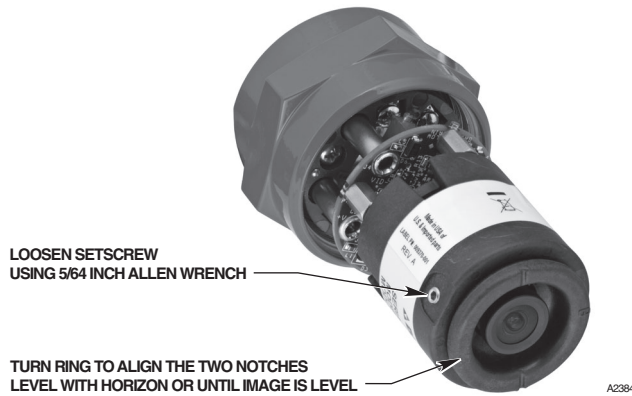


Figure 6—xWatch Camera Module

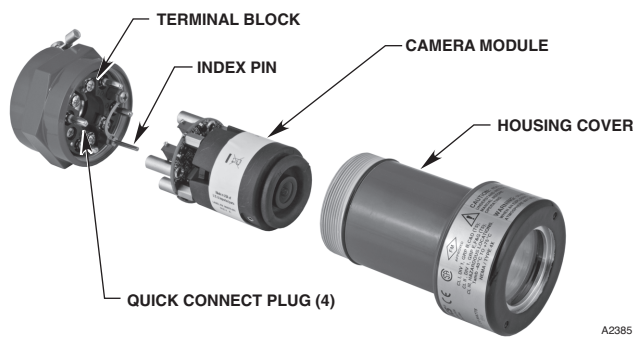


Figure 7—Exploded View of xWatch

LEVELING THE CAMERA

If the image on the monitor does not appear to be level, this can be corrected by rotating the camera module.

1. Remove the housing cover from the xWatch.
2. Loosen the setscrew on the side of the xWatch module. See Figure 6.
3. Align the two notches on the face of the module so that they are level with the horizon or until the image on the monitor looks level.
4. When proper orientation has been achieved, carefully tighten the setscrew. Do not overtighten.

TROUBLESHOOTING

The xWatch camera is not designed to be repaired in the field. If it is determined that the problem is caused by an electronic defect, please contact your local Det-Tronics Representative or alternately you may contact Det-Tronics Technical Support by calling 1-800-765-3473 to obtain assistance.

REPLACING THE xWATCH CAMERA MODULE

⚠ CAUTION

Power must not be applied to the device while opening the housing or while plugging in or removing the module.

1. Disassemble the enclosure by turning the housing cover counterclockwise. See Figure 7 for an illustration of the xWatch assembly.
2. Remove the existing camera module from the xWatch.
3. Using the index pin as a guide, install the new xWatch camera module on the terminal block.
4. Re-assemble the device housing.
5. Clean the camera lens if required.

MAINTENANCE

CLEANING

The xWatch camera requires no periodic calibration or servicing. However, the camera lens should be cleaned on a regular basis.

Clean the camera lens using a clean cloth or tissue and Det-Tronics window cleaning solution (p/n 001680-001). If a stronger solution is needed, isopropyl alcohol may be used.

REPLACEMENT PARTS

Part Number	Description
-------------	-------------

107427-004	Rubber O-rings (order 1 per device)
001680-001	Window cleaner squeeze bottle (package of six bottles)
005003-001	Silicone-free grease

ACCESSORIES

Part Number	Description
-------------	-------------

009448-003	Model DE2020N – Spare Camera Module, 2.33 mm, NTSC
009448-004	Model DE2020P – Spare Camera Module, 2.33 mm, PAL
009448-005	Model DE2022N – Spare Camera Module, 4.3 mm, NTSC
009448-006	Model DE2022P – Spare Camera Module, 4.33 mm, PAL
009448-007	Model DE2023N – Spare Camera Module, 8.0 mm, NTSC
009448-008	Model DE2023P – Spare Camera Module, 8.0 mm, PAL
000499-132	Active Balun, Twisted pair to BNC coax
000499-073	Passive Balun, Twisted pair to BNC coax



FlexSonic® Acoustic Leak Detector



X3301 Multispectrum IR Flame Detector



PointWatch Eclipse® IR Combustible Gas Detector



FlexVu® Universal Display with GT3000 Toxic Gas Detector



Eagle Quantum Premier® Safety System

Specifications subject to change without notice.

All trademarks are the property of their respective owners. © 2020 Detector Electronics Corporation. All rights reserved.

Det-Tronics manufacturing system is certified to ISO 9001—the world's most recognized quality management standard.



Corporate Office
6901 West 110th Street
Minneapolis, MN 55438 USA
www.det-tronics.com

Phone: +1 952.941.6665
Toll-free: +1 800.765.3473
Fax: 952.829.8750
det-tronics@carrier.com



95-8603