

# Instructions

UV Flame Detector Series

X2200, X2200G, and X2200M



# Table of Contents

DESCRIPTION . . . . .	1	TROUBLESHOOTING . . . . .	14
Outputs . . . . .	1		
LED . . . . .	2	MAINTENANCE . . . . .	14
<b>oi</b> (Optical Integrity) . . . . .	2	Cleaning Procedure . . . . .	15
Communication . . . . .	3	<b>oi</b> Reflector Plate Removal and Replacement . . . . .	15
Data Logging . . . . .	3	Periodic Checkout Procedure . . . . .	15
Integral Wiring Compartment . . . . .	3	Clock Battery . . . . .	15
SIGNAL PROCESSING OPTIONS . . . . .	3	FEATURES . . . . .	16
GENERAL APPLICATION INFORMATION . . . . .	4	SPECIFICATIONS . . . . .	16
Response Characteristics . . . . .	4		
False Alarm Sources . . . . .	4	REPLACEMENT PARTS . . . . .	18
Factors Inhibiting Detector Response . . . . .	4	Replacement Parts List . . . . .	18
IMPORTANT SAFETY NOTES . . . . .	5	DEVICE REPAIR AND RETURN . . . . .	18
INSTALLATION . . . . .	6	ORDERING INFORMATION . . . . .	18
Detector Positioning . . . . .	6	Accessories . . . . .	18
Detector Orientation . . . . .	6	X2200 Series Model Matrix . . . . .	19
Protection Against Moisture Damage . . . . .	7		
Wiring Procedure . . . . .	7	APPENDIX A – FM APPROVAL AND	
Setting Device Network Addresses		PERFORMANCE REPORT . . . . .	20
(EQ and EQP Models Only) . . . . .	13		
		APPENDIX B – CSA APPROVAL . . . . .	24
STARTUP PROCEDURE . . . . .	14	APPENDIX C – ATEX APPROVAL . . . . .	25
Fire Alarm Test . . . . .	14	APPENDIX D – IECEX APPROVAL . . . . .	27
		APPENDIX E – EN54 APPROVALS . . . . .	28
		APPENDIX F – ADDITIONAL APPROVALS . . . . .	29
		APPENDIX G – DECLARATION OF	
		CONFORMITY . . . . .	29

---

**AUTOMATIC**

---

**UV Flame Detector Series  
X2200, X2200G, and X2200M****IMPORTANT**

*Be sure to read and understand the entire instruction manual before installing or operating the flame detection system. Any deviation from the recommendations in this manual may impair system performance and compromise safety.*

**ATTENTION**

*The X2200, X2200G, and X2200M include the Automatic **oi**<sup>®</sup> (Optical Integrity) feature — a calibrated performance test that is automatically performed once per minute to verify complete detector operation capabilities. **Testing with an external test lamp is not approved or required.***

**DESCRIPTION**

The X2200, X2200G, and X2200M UV Flame Detectors meet the most stringent requirements worldwide with advanced detection capabilities and immunity to extraneous sources, combined with a superior mechanical design. The detectors are equipped with both automatic and manual **oi** test capability. The detectors have Division and Zone explosion-proof ratings and is suitable for use in indoor and outdoor applications.

The standard output configuration includes fire, fault, and auxiliary relays. Output options include:

- 0–20 mA output (in addition to the three relays)
- Pulse output for compatibility with existing Detector Electronics Corporation (Det-Tronics) controller based systems (with fire and fault relays)
- Eagle Quantum Premier<sup>®</sup> (EQP) compatible model (no analog or relay outputs)
- HART communication



A tri-color LED on the detector faceplate indicates normal condition and notifies personnel of fire alarm or fault conditions.

The detector housing is available in copper-free aluminum or stainless steel, with Type 4X and IP66/IP67 rating.

**OUTPUTS****Relays**

The standard detector is furnished with fire, fault, and auxiliary relays. All three relays are rated 5 amperes at 30 Vdc.

The Fire Alarm relay has redundant terminals and normally open / normally closed contacts, normally de-energized operation, and latching or non-latching operation.

The Fault relay has redundant terminals and normally open contacts, normally energized operation, and latching or non-latching operation.

The Auxiliary relay has normally open / normally closed contacts, and is configurable for energized or de-energized operation, and latching or non-latching operation.

### 0 to 20 mA Output

A 0–20 mA output is available as an option (in addition to the three relays). This option provides a 0–20 mA dc current output for transmitting detector status information to other devices. The circuit can be wired in either an isolated or non-isolated configuration and can drive a maximum loop resistance of 500 ohms from 18–19.9 Vdc and 600 ohms from 20 to 30 Vdc. Table 1 indicates the detector status conditions represented by the various current levels. The output is calibrated at the factory, with no need for field calibration. A model with relays and 0–20 mA with HART is also available. Refer to Addendum number 95-8638 for complete details.

#### NOTE

*The output of the 0–20 mA current loop is not monitored by the fault detection circuitry of the detector. Therefore, an open circuit on the loop will not cause the fault relay to change state or the detector status LED to indicate a fault. The status of the LED always follows the status of the relays.*

An alarm condition will normally over-ride a fault condition, unless the nature of the fault condition impairs the ability of the detector to generate or maintain an alarm output, i.e., loss of operating power.

Table 1—Detector Status Conditions Indicated by Current Level

Current Level (±0.3 mA)	Detector Status
0 mA	Power Fault
1 mA	General Fault
2 mA	<b>oi</b> Fault
4 mA	Normal Operation
16 mA	Pre-Alarm
20 mA	Fire Alarm

### LON/SLC Output

The EQP model is designed for use exclusively with the Det-Tronics Eagle Quantum Premier system. The detector communicates with the system controller over a digital communication network or LON/SLC (Local Operating Network / Signaling Line Circuit). The LON/SLC is a fault tolerant, two wire digital communication network arranged in a loop configuration. Analog and relay outputs are not available on this model.

### LED

A tri-color LED on the detector faceplate indicates normal condition and notifies personnel of fire alarm or fault conditions. Table 2 indicates the condition of the LED for each status.

Table 2—Detector Status Indicator

Detector Status	LED Indicator
Power On/Normal Auto <b>oi</b> (no fault or fire alarm)	Green
Power On/Normal Man <b>oi</b>	Green, flashing off for 0.5 sec. every 5 sec.
Fault	Yellow
Pre-Alarm/Background UV	Red, flashing on for 1 sec. and off for 1 sec.
Fire (Alarm)	Steady Red
On Power-Up, The LED Flashes in Sequence as Follows, Indicating Sensitivity and Signal Processing Status	
Low UV Sensitivity	One Red Flash
Medium UV Sensitivity	Two Red Flashes
High UV Sensitivity	Three Red Flashes
Very High UV Sensitivity	Four Red Flashes
Stand. UV Signal Process.	One Yellow Flash
Arc Rej. UV Signal Process.	Two Yellow Flashes

#### ATTENTION

*The X2200, and X2200M contain a source tube that is filled with a gas mixture containing Krypton 85 (Kr<sup>85</sup>), a radioactive material. Radioactive materials are subject to regulation under U.S. and international law. **Not applicable to model X2200G, which does not contain Kr85.***

### oi (OPTICAL INTEGRITY)

#### Automatic oi

The X2200, X2200G, and X2200M include the Automatic **oi** feature — a calibrated performance test that is automatically performed once per minute to verify complete detector operation capabilities. No testing with an external test lamp is required. The detector automatically performs the same test that a maintenance person with a test lamp would perform — once every minute, 60 times per hour. However, a successful Automatic **oi** test does not produce an alarm condition.

The detector signals a fault condition when less than half of the detection range remains. This is indicated by the Fault output and is evident by the yellow color of the LED on the face of the detector. See the "Troubleshooting" section for further information.

## Magnetic **oi** / Manual **oi**

The detector also incorporates both Magnetic **oi** (Mag **oi**) and Manual **oi** (Man **oi**) features that provide the same calibrated test as the Automatic **oi**, and in addition actuates the Alarm output to verify operation for preventive maintenance requirements. These features can be performed at any time and eliminate the need for testing with a non-calibrated external test lamp.

### CAUTION

*These tests require disabling of all extinguishing devices to avoid release resulting from a successful test.*

The Mag **oi** test is performed by placing a magnet at the location marked "MAG OI" on the outside of the detector (see Figure 2). The Man **oi** test is accomplished by connecting the **oi** lead (terminal 22) to power supply minus via an external switch. The magnet or switch must be held in place for a minimum of 6 seconds to complete the test. Either of these test methods activates the calibrated UV emitter. If the resulting signal meets the test criteria, indicating that greater than half of the detection range remains, the fire alarm output of the detector is activated. On models with relay, 0–20 mA, or HART outputs, this condition remains until the magnet is removed or the switch is released, regardless of whether the detector has been configured for latching or non-latching operation.

If less than half of the detection range remains, no alarm is produced and a fault is generated. The fault indication can be reset by momentarily applying the Mag **oi** or Man **oi** switch. In this case, the detector's optics should be cleaned and the **oi** tests should be repeated. See the "Cleaning Procedure" section of this manual for details. The fire alarm output condition stays active for three seconds on Eagle Quantum Premier models.

### NOTE

*Refer to Appendix A for FM verification of the **oi** function.*

## COMMUNICATION

The detector is furnished with an RS-485 interface for communicating status and other information with external devices. The RS-485 supports Modbus protocol, with the detector configured as a slave device.

For HART communication, connect a HART communicator across a 250 ohm resistor in the 0–20 mA loop. HART output models do not support RS-485 Modbus protocol.

### NOTE

*The EQP model uses LON/SLC communication. RS-485 and HART communication are not available on the EQP model.*

### NOTE

*RS-485 communication is not available on HART equipped models.*

## DATA LOGGING

Data logging capability is also provided. Status conditions such as normal, power down, general and **oi** faults, pre-alarm, fire alarm, time, and temperature are recorded. Each event is time and date stamped, along with the temperature and input voltage. Event data is stored in non-volatile memory when the event becomes active, and again when the status changes. Data is accessible using the Inspector Connector accessory, RS-485, or the EQP Controller.

## INTEGRAL WIRING COMPARTMENT

All external wiring to the device is connected within the integral junction box. The detector is furnished with four conduit entries, with either 3/4 inch NPT or M25 threads.

## SIGNAL PROCESSING OPTIONS

The UV detector output (measured in counts per second) is compared to the fire threshold (the "sensitivity" setting). If the radiant energy level from the fire exceeds the selected alarm threshold level, the fire alarm output is activated. In every application, it is crucial to ensure that the radiant ultraviolet energy level from the expected fire at the required distance from the detector will exceed the selected sensitivity level.

The UV detector in the X2200, X2200G, and X2200M can be programmed for:

- Arc Rejection
- Standard Signal Processing

### Arc Rejection

The Arc Rejection mode enables the detector to prevent nuisance fire alarms caused by UV from short-duration electrical arcs or electrostatic discharge, while maintaining the ability to reliably detect the UV radiation given off by a flame. Typical applications that benefit from arc rejection logic include uncontrolled environments where transient UV sources can be present, such as many typical outdoor applications. Most false alarm sources have short transient UV signatures, while fire creates a long UV signature over many seconds. Most fires are detected in a few seconds (see response times in Appendix A).

### Standard Signal Processing

Standard signal processing is recommended for high-speed suppression systems only. To allow for high-speed operation, the standard processing mode does not incorporate the arc rejection programming.

This mode should only be used in a controlled, indoor environment or in applications where the need for high speed detection outweighs the need for resistance against unwarranted UV alarms.

## GENERAL APPLICATION INFORMATION

### RESPONSE CHARACTERISTICS

Response is dependent on the detector's sensitivity setting, arc rejection, and time delay settings. Other factors include distance, type of fuel, temperature of the fuel, and time required for the fire to come to equilibrium. As with all fire tests, results must be interpreted according to an individual application.

See Appendix A for third-party approved fire test results. Additional fire test results are available from Det-Tronics.

### Welding

Electric arc welding is a source of intense ultraviolet radiation. UV radiation from arc welding readily scatters and can deflect across significant distances, even when direct obstructions exist. Any open door or window can allow nuisance UV radiation from arc welding to enter an enclosed area, causing a possible response from the detector.

It is recommended that the system be inhibited during welding operations in situations where the possibility of a false alarm cannot be tolerated. Gas welding mandates system inhibit, since the gas torch is an actual fire. Arc welding rods can contain organic binder materials in the flux that burn during the welding operation and are detectable by the detector. Welding rods with clay binders do not burn and will not be detected by the detector. However, system inhibit is always recommended, since the material being welded may be contaminated with organic substances (paint, oil, etc.) that will burn and possibly cause the detector to alarm.

### Artificial Lighting

The detector should not be located within 3 feet (0.9 m) of artificial lights. Excess heating of the detector could occur due to heat radiating from the lights.

### EMI/RFI Interference

The detector is resistant to interference by EMI and RFI, and is EMC Directive compliant and CE Marked. It will not respond to a 5 watt walkie-talkie at distances greater than 1 foot (0.3 m).

## FALSE ALARM SOURCES

The UV sensor is solar blind to the ultraviolet component of solar radiation. However, it may respond to sources of UV besides fire, such as arc flash, electric arc welding, grinding metal, lightning, high voltage corona, x-rays, and gamma radiation.

### NOTE

*Radiation generated by false alarm sources such as periodic lightening or sparks in the area may be effectively ignored by the detector using the arc rejection feature of time delay.*

## FACTORS INHIBITING DETECTOR RESPONSE

### Windows

Glass and Plexiglas windows significantly attenuate UV radiation and must not be located between the detector and a potential flame source. If the window cannot be eliminated or the detector location changed, contact Det-Tronics for recommendations regarding window materials that will not attenuate UV radiation.

### Obstructions

Radiation must be able to reach the detector in order for it to respond. Care must be taken to keep physical obstructions out of the line of view of the detector. In addition, UV absorbing gases or vapors must not be allowed to accumulate between the detector and the protected hazard. See Table 3 for a list of these substances.

### Smoke

Smoke will absorb UV radiation. If accumulations of dense smoke can be expected to precede the presence of a flame, then detectors that are used in enclosed areas should be mounted on the wall approximately 3 feet (0.9 m) from the ceiling where the accumulation of smoke is reduced.

### Detector Viewing Windows

It is important to keep the detector viewing windows as free of contaminants as possible in order to maintain maximum sensitivity. Commonly encountered substances that can significantly attenuate UV radiation include, but are certainly not limited to, the following:

- Silicones
- Oils and greases
- Dust and dirt buildup
- Paint overspray



Table 3—UV Absorbing Gases and Vapors

The following is a partial list of compounds that exhibit significant UV absorption characteristics. These are also usually hazardous vapors. While generally of little consequence in small amounts, these gases can restrict UV detection if they are in the atmosphere in heavy concentrations. It should also be determined whether or not large amounts of these gases may be released as a result of a fire-causing occurrence.

Acetaldehyde	Methyl Methacrylate
Acetone	Alpha-Methylstyrene
Acrylonitrile	Naphthalene
Ethyl Acrylate	Nitroethane
Methyl Acrylate	Nitrobenzene
Ethanol	Nitromethane
Ammonia	1-Nitropropane
Aniline	2-Nitropropane
Benzene	2-Pentanone
1,3 Butadiene	Phenol
2-Butanone	Pyridine
Butylamine	Hydrogen Sulfide
Chlorobenzene	Styrene
1-Chloro-1-Nitropropane	Tetrachloroethylene
Chloroprene	Toluene
Cumene	Trichloroethylene
Cyclopentadiene	Vinyl Toluene
O-Dichlorobenzene	Xylene
P-Dichlorobenzene	

If UV-absorbing gases may be a factor in a given application, precautionary measures should be taken. Detectors can be placed closer to the potential hazard area, and/or the sensitivity of the detection system can be increased. Contact the factory for further details.

Substances such as methane, propane, butane, hexane, camphor, and octane are not UV absorbing.

## IMPORTANT SAFETY NOTES

### WARNING

*Do not open the detector assembly in a hazardous area when power is applied. The detector contains limited serviceable components and should never be opened. Doing so could disturb critical optical alignment and calibration parameters, possibly causing serious damage.*

### CAUTION

*The wiring procedures in this manual are intended to ensure proper functioning of the device under normal conditions. However, because of the many variations in wiring codes and regulations, total compliance to these ordinances cannot be guaranteed. Be certain that all wiring complies with the NEC as well as all local ordinances. If in doubt, consult the authority having jurisdiction before wiring the system. Installation must be done by a properly trained person.*

### CAUTION

*To prevent unwanted actuation or alarm, extinguishing devices must be disabled prior to performing detection system tests or maintenance.*

### CAUTION

*The UV flame detectors are to be installed in places where the risk of mechanical damage is low.*

### ATTENTION

*Remove the protective cover from the front of the detector before activating the system.*

### ATTENTION

*Observe precautions for handling electrostatic sensitive devices.*

### ATTENTION

*The source tube is a flame-sealed gas tube containing Neon, Hydrogen, and a trace amount of Krypton 85 ( $Kr^{85}$ ), a radioactive material. The total volume of gas within the tube is 0.6 ml per tube, making the gas mixture inside the tube nonflammable. If the gas envelope is broken, it will not produce a flammable mixture, and the gas immediately disperses into the air and is unlikely to present any type of hazard. Krypton gas and its radioactive isotope are inert and are not absorbed by the body. No special handling measure or personal protection equipment is needed for the UV detectors. **Not applicable to model X2200G, which does not contain Kr85.***

## INSTALLATION

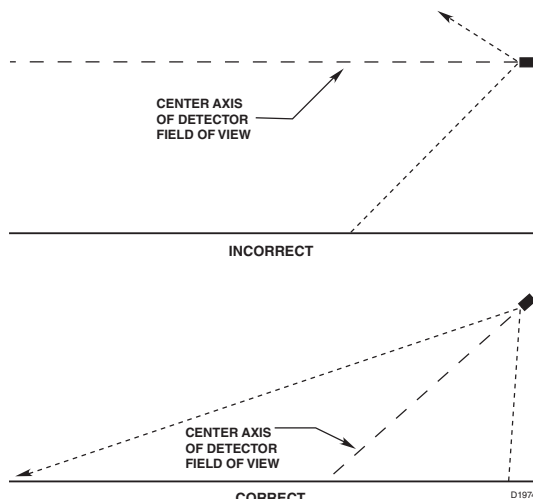
### NOTE

The recommended lubricant for threads and O-rings is a silicone-free grease (p/n 005003-001) available from Det-Tronics. Under no circumstances should a lubricant containing silicone be used.

## DETECTOR POSITIONING

Detectors should be positioned to provide the best unobstructed view of the area to be protected. The following factors should also be taken into consideration:

- Identify all high risk fire ignition sources.
- Be sure that enough detectors are used to adequately cover the hazardous area.
- Be sure that the unit is easily accessible for cleaning and other periodic servicing.
- Verify that all detectors in the system are properly located and positioned so that any fire hazards are within both the Field of View (FOV) and detection range of the detector. The Q1201C Laser Aimer is recommended for establishing the detector's FOV. Refer to Appendix A for specific information regarding detector range and FOV.
- The detector should be aimed downward at least 10 to 20 degrees to allow lens openings to drain (see Figure 1). **The detector should be positioned so that its FOV does not cover areas outside the area that requires flame detection monitoring.** This will minimize the possibility of false alarms caused by activities outside the area requiring protection.
- The detector must be mounted on a rigid surface in a low vibration area.



NOTE: DETECTOR MUST ALWAYS BE AIMED DOWNWARD AT LEAST 10 TO 20 DEGREES.

Figure 1—Detector Orientation Relative to Horizon

- Dense fog, rain as well as certain gases and vapors (see Table 3) can absorb UV radiation and reduce the sensitivity of the detector.
- If possible, fire tests can be conducted to verify correct detector positioning and coverage.
- For ATEX/IECEx installations, the detector housing must be electrically connected to earth ground.

## DETECTOR ORIENTATION

Refer to Figure 2 and ensure that the **oi** reflector plate will be oriented as shown when the detector is installed and sighted. This will ensure proper operation of the **oi** system and will also minimize the accumulation of moisture and contaminants between the **oi** reflector plate and the viewing windows.

### IMPORTANT

If removed, the **oi** reflector plate **must** be securely tightened to ensure proper operation of the **oi** system (40 oz.inches [28.2 N·cm] recommended).

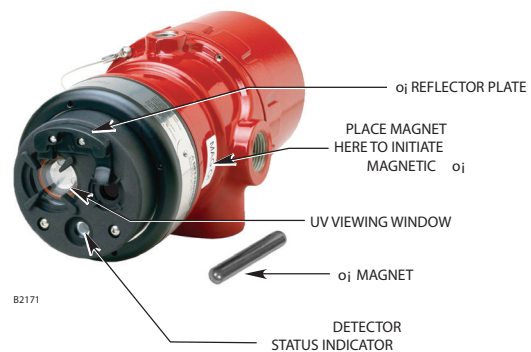


Figure 2—Front View of the Detector



## PROTECTION AGAINST MOISTURE DAMAGE

It is important to take proper precautions during installation to ensure that moisture will not come in contact with the electrical connections or components of the system. The integrity of the system regarding moisture protection must be maintained for proper operation and is the responsibility of the installer. Verify all covers are securely tightened upon installation.

If conduit is used, we recommend installing drains, according to local codes, at water collection points to automatically drain accumulated moisture. It is also recommended to install at least one breather, according to local codes, at upper locations to provide ventilation and allow water vapor to escape.

Conduit raceways should be inclined so that water will flow to low points for drainage and will not collect inside enclosures or on conduit seals. If this is not possible, install conduit drains above the seals to prevent the collection of water or install a drain loop below the detector with a conduit drain at the lowest point of the loop.

Conduit seals are not required for compliance with explosion-proof installation requirements, but are highly recommended to prevent water ingress in outdoor applications. Units with M25 threads must use an IP66/IP67 washer to prevent water ingress.

## WIRING PROCEDURE

### Wire Size and Type

The system should be wired according to local codes. The wire size selected should be based on the number of detectors connected, the supply voltage and the cable length. Typically 16 AWG or 2.5 mm<sup>2</sup> shielded cable is recommended. Wires should be stripped 1/2 inch (12 mm). A minimum input voltage of 18 Vdc must be present at the detector.

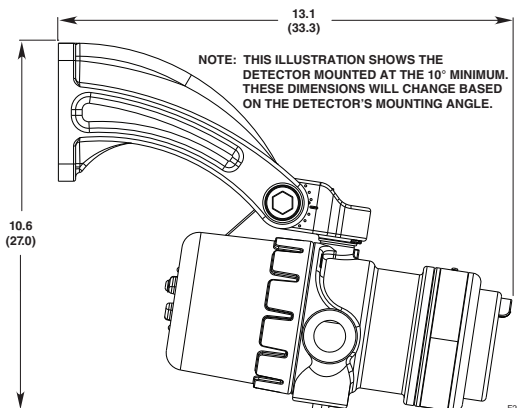
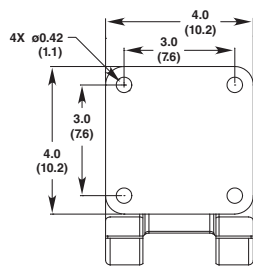


Figure 3—Q9033 Mounting Arm without Collar Attachment Dimensions in Inches (cm)  
(See Figure 1 for Correct Detector Orientation.)

## NOTE

Refer to “Power Consumption” in the “Specifications” section of this manual.

The use of shielded cable is required to protect against interference caused by EMI and RFI. When using cables with shields, terminate the shields as shown in Figures 7 through 12, and Figure 15. Consult the factory if not using shielded cable.

In applications where the wiring cable is installed in conduit, the conduit must not be used for wiring to other electrical equipment.

If disconnection of power is required, separate disconnect capability must be provided.

## ⚠ WARNING

All entries must contain appropriately rated plugs or fittings. It is required that each plug or fitting be wrench-tightened to an appropriate installation torque and meet the minimum thread engagement requirements per the applicable local standards, codes, and practices in order to retain the defined ratings. PTFE sealant or equivalent should be used on NPT threads.

## IMPORTANT

Devices certified for hazardous locations shall be installed in accordance with EN/IEC 60079-14 and NEC 505.

## ⚠ CAUTION

Installation of the detector and wiring should be performed only by qualified personnel.

## Detector Installation

Install the mounting arm assembly on a rigid surface. The ideal installation surface should be free of vibration and suitable to receive 3/8 or M10 bolts with a length of at least 1 inch (25 mm). The surface must also have sufficient capacity to hold the detector and mounting arm weights (See "Specifications" section). Refer to the Q9033 Mounting Arm manual (95-8686) for additional installation information. See Figure 3 for dimensions.

## Relay and 0-20 mA Output Models

Follow the instructions below to install the X2200, X2200G, or X2200M:

1. Make field connections following local ordinances and guidelines in this manual. Refer to Figures 4 through 12.
2. Check all field wiring to be sure that the proper connections have been made.
3. Replace and securely tighten all covers before applying input power.



Figure 4—Detector Terminal Block

9	mA +	19	mA -	29	SPARE
8	mA + REF	18	mA - REF	28	SPARE
7	COM FIRE	17	COM FIRE	27	COM AUX
6	NO FIRE	16	NO FIRE	26	NO AUX
5	NC FIRE	15	NC FIRE	25	NC AUX
4	COM FAULT	14	COM FAULT	24	RS485 A
3	NO FAULT	13	NO FAULT	23	RS485 B
2	+Vin	12	+Vin	22	MAN O <sub>1</sub>
1	-Vin	11	-Vin	21	-Vin

E2061

Figure 5—Wiring Terminal Identification

## IMPORTANT

*Do not test any wiring connected to the detector with a meg-ohmmeter. Disconnect wiring at the detector before checking system wiring for continuity.*

4. Make the final sighting adjustments and use a 14 mm hex wrench to ensure that the mounting arm assembly is tight.

## EOL Resistors (Not Used with EQP Model)

To ensure that the insulating material of the wiring terminal block will not be affected by the heat generated by EOL resistors, observe the following guidelines when installing the resistors.

1. Required EOL resistor power rating must be 5 watts minimum.

## NOTE

*EOL resistors must be ceramic, wirewound type, rated 5 watts minimum, with actual power dissipation not to exceed 2.5 watts. This applies to ATEX/IECEx installations only.*

2. Resistor leads should be cut to a length of approximately 1 1/2 inches (40 mm).
3. Bend the leads and install the EOL resistor as shown in Figure 6.
4. Maintain a 3/8 inch (10 mm) minimum gap between the resistor body and the terminal block or any other neighboring parts.

## NOTE

*The EOL resistor can only be used within the flameproof terminal compartment. Unused conduit entries shall be closed with suitable blanking elements.*

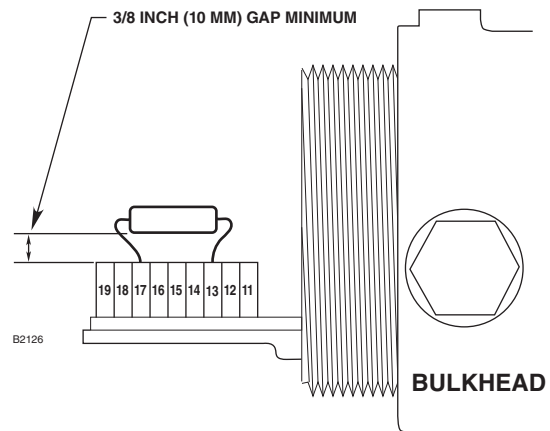
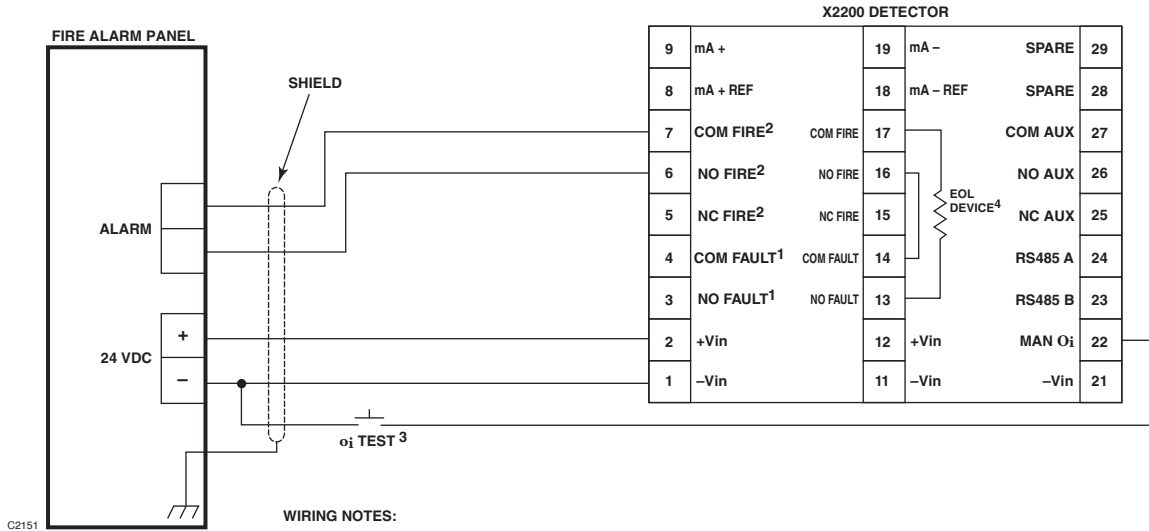


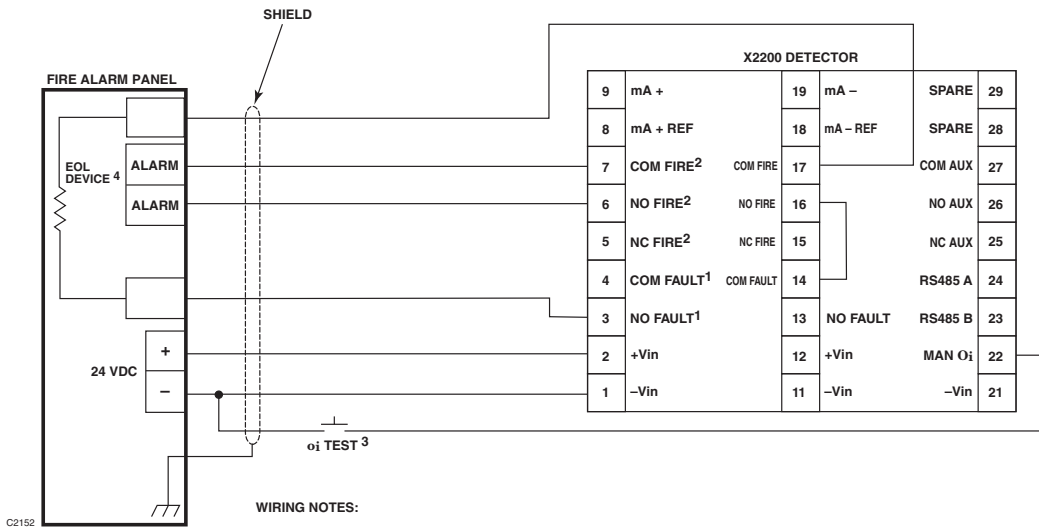
Figure 6—EOL Resistor Installation



**WIRING NOTES:**

- 1 IN NORMAL OPERATION WITH NO FAULTS OCCURRING, THE FAULT RELAY COIL IS ENERGIZED AND THE NORMALLY OPEN (NO) AND COMMON (COM) CONTACTS ARE CLOSED.
- 2 ALARM RELAY IS NORMALLY DE-ENERGIZED WITH NO ALARM CONDITION PRESENT.
- 3 INDIVIDUAL MANUAL o<sub>i</sub> TEST SWITCHES CAN BE INSTALLED REMOTELY OR A DETECTOR SELECTOR AND ACTIVATION SWITCH CAN BE INSTALLED AT THE FIRE PANEL. TEST SWITCHES ARE NOT SUPPLIED.
- 4 REFER TO SPECIFICATIONS SECTION FOR EOL RESISTOR VALUES. REFER TO EOL RESISTORS SECTION FOR INSTALLATION DETAILS.
- 5 PROPERLY CERTIFIED HAZARDOUS LOCATION METALLIC CABLE GLANDS OR STOP PLUGS ARE REQUIRED TO FILL ALL CONDUIT ENTRIES.
- 6 SHIELD MUST BE CONNECTED TO THE METALLIC CABLE GLAND. MAKE CERTAIN THAT THE INSULATION IS REMOVED TO ENSURE ELECTRICAL CONNECTION BETWEEN THE SHIELD AND THE HOUSING.

Figure 7—Ex d Wiring Option



**WIRING NOTES:**

- 1 IN NORMAL OPERATION WITH NO FAULTS OCCURRING, THE FAULT RELAY COIL IS ENERGIZED AND THE NORMALLY OPEN (NO) AND COMMON (COM) CONTACTS ARE CLOSED.
- 2 ALARM RELAY IS NORMALLY DE-ENERGIZED WITH NO ALARM CONDITION PRESENT.
- 3 INDIVIDUAL MANUAL o<sub>i</sub> TEST SWITCHES CAN BE INSTALLED REMOTELY OR A DETECTOR SELECTOR AND ACTIVATION SWITCH CAN BE INSTALLED AT THE FIRE PANEL. TEST SWITCHES ARE NOT SUPPLIED.
- 4 REFER TO SPECIFICATIONS SECTION FOR EOL RESISTOR VALUES. REFER TO EOL RESISTORS SECTION FOR INSTALLATION DETAILS.
- 5 PROPERLY CERTIFIED HAZARDOUS LOCATION METALLIC CABLE GLANDS OR STOP PLUGS ARE REQUIRED TO FILL ALL CONDUIT ENTRIES.
- 6 SHIELD MUST BE CONNECTED TO THE METALLIC CABLE GLAND. MAKE CERTAIN THAT THE INSULATION IS REMOVED TO ENSURE ELECTRICAL CONNECTION BETWEEN THE SHIELD AND THE HOUSING.

Figure 8—Ex e Wiring Option

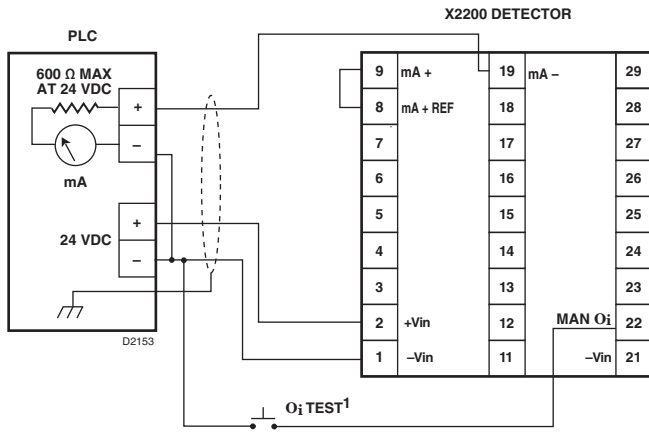


Figure 9—Detector Wired for Non-Isolated 0 to 20 mA Current Output (Sourcing)

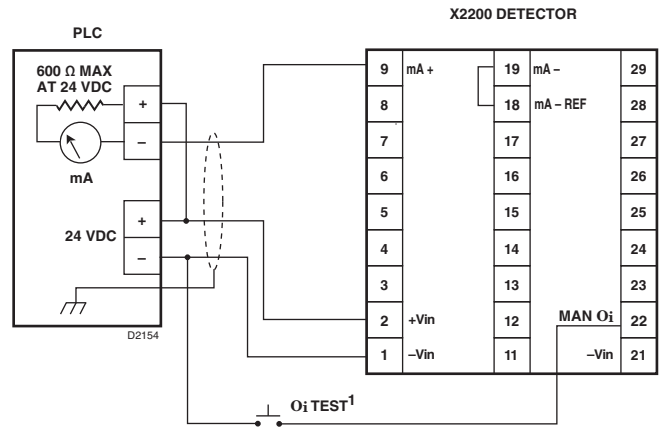


Figure 10—Detector Wired for Non-Isolated 0 to 20 mA Current Output (Sinking)

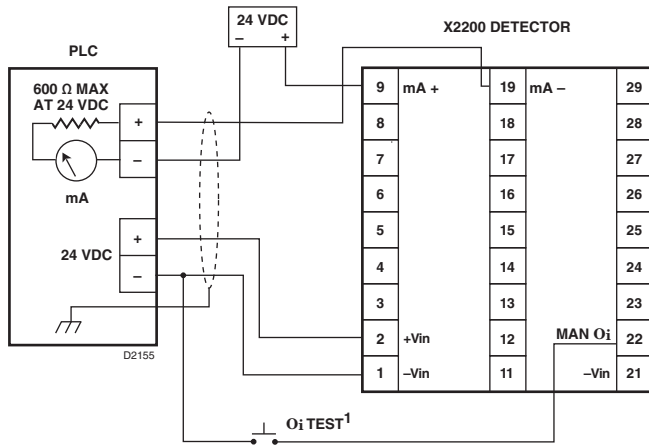


Figure 11—Detector Wired for Isolated 0 to 20 mA Current Output (Sourcing)

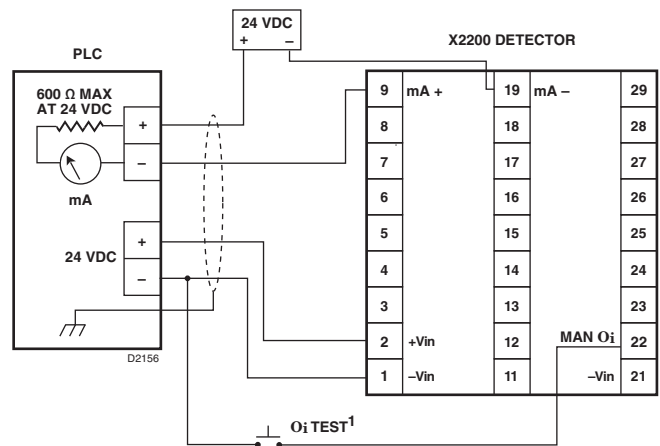


Figure 12—Detector Wired for Isolated 0 to 20 mA Current Output (Sinking)

**NOTES: 1. INDIVIDUAL MANUAL  $o_i$  TEST SWITCHES CAN BE INSTALLED REMOTELY OR A DETECTOR SELECTOR AND ACTIVATION SWITCH CAN BE INSTALLED AT THE FIRE PANEL. TEST SWITCHES ARE NOT SUPPLIED.**

**EQP Model**

1. Connect external wires to the appropriate terminals inside the terminal compartment, shown in Figure 13. See Figure 14 for terminal identification.
2. Connect the shield of the power cable to earth ground at the power source.
3. Connect shields for the LON cable as indicated. See Figure 15.

**NOTE**

*DO NOT ground any shields at the detector housing.*

4. With input power disconnected, set the device network address. (See “Setting Device Network Addresses” section of this manual for switch setting procedure.)

5. Check all field wiring to be sure that the proper connections have been made.
6. Replace and securely tighten all covers before applying input power.
7. Make the final sighting adjustments and use a 14 mm hex wrench to ensure that the mounting arm assembly is tight.

**NOTE**

*Refer to the Eagle Quantum Premier system manual (95-8533) for information regarding power requirements, network communication cable requirements, and configuration.*



Figure 13—Detector Terminal Block (EQP Model)

6	SHIELD	16	SHIELD
5	COM 1 A	15	COM 2 A
4	COM 1 B	14	COM 2 B
3	PWR SHIELD	13	PWR SHIELD
2	+Vin	12	+Vin
1	-Vin	11	-Vin

C2089

Figure 14—Wiring Terminal Identification for EQP Model



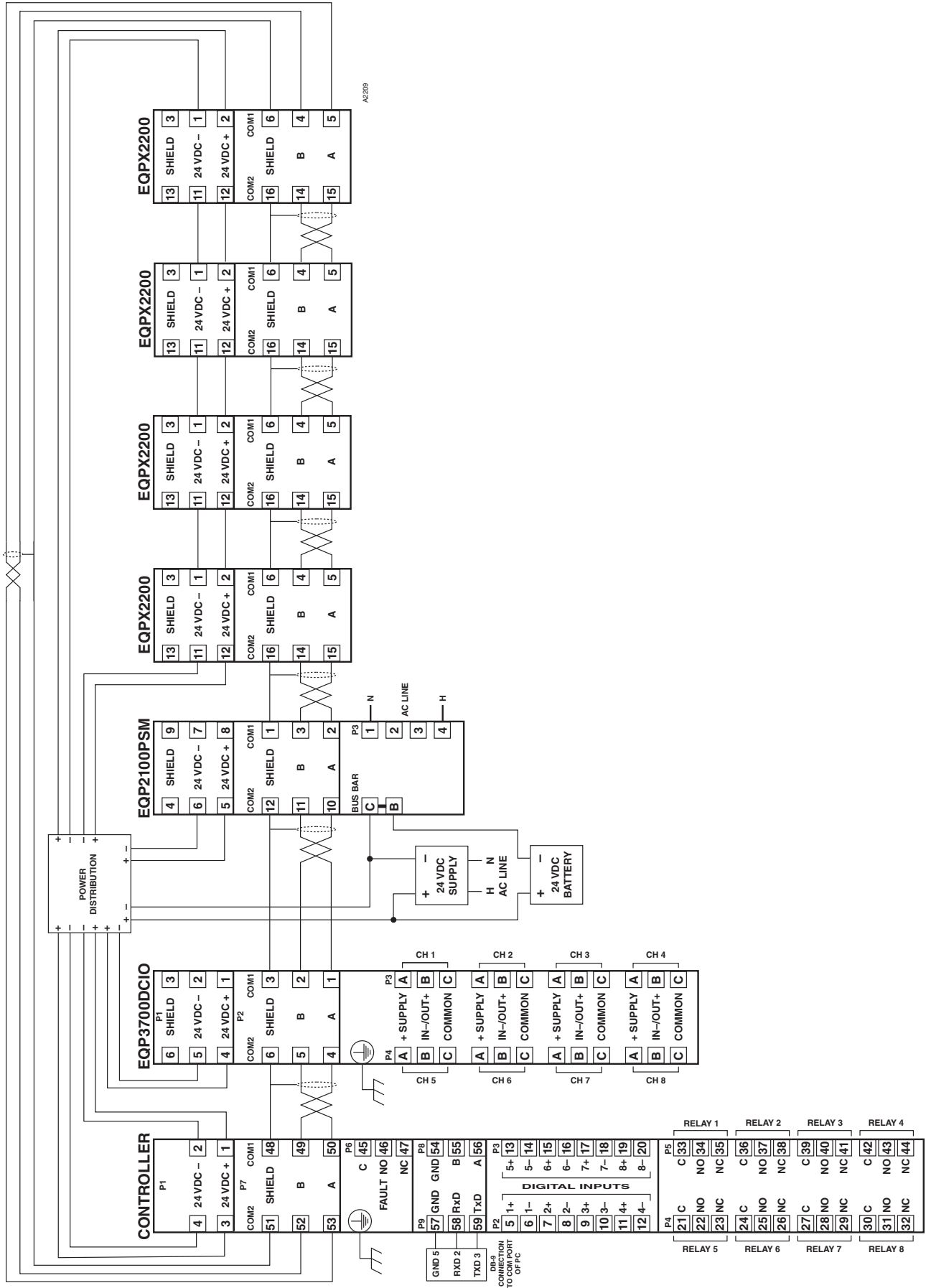


Figure 15—A Typical EQP System

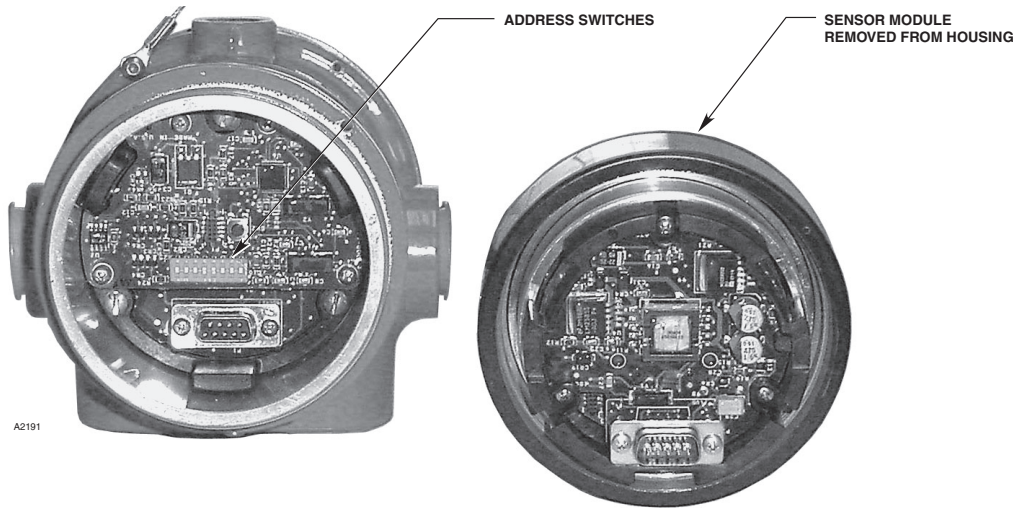


Figure 16—Location of Address Switches

## SETTING DEVICE NETWORK ADDRESSES (EQ and EQP Models Only)

### Overview of Network Addresses

Each device on the LON must be assigned a unique address. Addresses 1 to 4 are reserved for the controller. Valid addresses for field devices are from 5 to 250.

#### IMPORTANT

*If the address is set to zero or an address above 250, the switch setting will be ignored.*

Duplicated addresses are not automatically detected. Modules given the same address will use the number given and report to the controller using that address. The status word will show the latest update, which could be from any of the reporting modules using that address.

### Setting Field Device Addresses

Selection of the node address is done by setting rocker switches on an 8 switch “DIP Switch Assembly” within the detector’s housing. Refer to Figure 16 for switch location.

#### WARNING

*The network address switches are located within the detector housing. Removal of the sensor module (“front” half of the detector) which contains powered electrical circuits is required to gain access to the network address switches. For hazardous areas, the area must be de-classified before attempting disassembly of the device. Always observe precautions for handling electrostatic sensitive devices.*

The address number is binary encoded with each switch having a specific binary value with switch 1 being the LSB (Least Significant Bit), see Figure 17. The device’s LON address is equal to the added value of all closed rocker switches. All “Open” switches are ignored.

**Example:** for node No. 5, close rocker switches 1 and 3 (binary values 1 + 4); for node No. 25, close rocker switches 1, 4, and 5 (binary values 1 + 8 + 16).

#### NOTE

*The field device sets the LON address only when power is applied to the device. Therefore, it is important to set the switches **before** applying power. If an address is ever changed, system power must be cycled before the new address will take effect.*

After setting address switches, record the address number and device type.

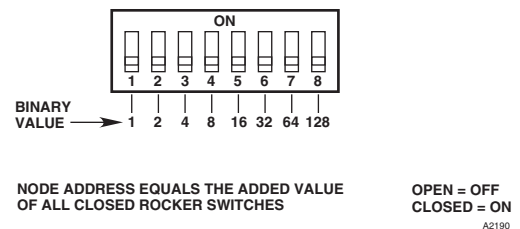


Figure 17—Address Switches for Detector

## STARTUP PROCEDURE

When installation of the equipment is complete, perform the “Fire Alarm Test” below.

### FIRE ALARM TEST

1. Disable any extinguishing equipment that is connected to the system.
2. Apply input power to the system.
3. Initiate an **oi** test. (See “Magnetic **oi** / Manual **oi**” under Optical Integrity in the “Description” section of this manual.)
4. Repeat this test for all detectors in the system. If a unit fails the test, refer to the “Troubleshooting” section.
5. Verify that all detectors in the system are properly aimed at the area to be protected. (The Q1201C Laser Aimer is recommended for this purpose.)
6. Enable extinguishing equipment when the test is complete and the detectors have returned to normal operation.

## TROUBLESHOOTING

1. Disable any extinguishing equipment that is connected to the unit.
2. Inspect the viewing windows for contamination and clean as necessary. (Refer to the “Maintenance” section for complete information regarding cleaning of the detector viewing windows.)
3. Check input power to the unit.
4. If the fire system has a logging function, check the fire panel log for output status information. See Table 4 for information regarding 0 to 20 mA output.

Table 4—Current Level Output Troubleshooting Guide

Current Level (±0.3 mA)	Status	Action
0 mA	Power Fault	Check system wiring.
1 mA	General Fault	Cycle power. <sup>1</sup>
2 mA	<b>oi</b> Fault	Clean windows. <sup>2</sup>
4 mA	Normal Operation	
16 mA	Hi Background UV Fault	Remove UV source or aim detector away from UV source.
20 mA	Fire Alarm	

<sup>1</sup>If fault continues, return device to factory for repair.

<sup>2</sup>See “Maintenance” section for cleaning procedure.

5. The use of the Enhanced Flame Inspector cable and software from Det-Tronics can be considered to determine the nature of the fault condition. Refer to the instruction manual 95-8751 for more information.
6. Turn off the input power to the detector and check all wiring for continuity. **Important: Disconnect wiring at the detector before checking system wiring for continuity.**
7. If all wiring checks out and cleaning of the **oi** reflector plate/window did not correct the fault condition, check for high levels of background UV radiation by covering the detector with the factory supplied cover or aluminum foil. If the fault condition clears, extreme background UV radiation is present. Re-adjust the view of the detector away from the UV source or relocate the detector.

If none of these actions corrects the problem, please contact your local Det-Tronics Representative or alternately you may contact Det-Tronics Technical Support by calling 1-800-765-3473 to obtain assistance.

### NOTE

*It is highly recommended that a complete spare be kept on hand for field replacement to ensure continuous protection.*

## MAINTENANCE

### IMPORTANT

*Periodic flamepath inspections are not recommended, since the product is not intended to be serviced and provides proper ingress protection to eliminate potential deterioration of the flamepaths.*

### WARNING

*To avoid a potential electrostatic discharge (ESD), the painted surface of the detector should only be cleaned with a damp cloth.*

### WARNING

*The sensor module (“front” half of the detector) contains no user serviceable components and should never be tampered with.*

### NOTE

*Refer to the X2200 Safety manual (95-8672) for specific requirements and recommendations applicable to the proper installation, operation, and maintenance of all SIL-Certified X2200 Flame Detectors.*

To maintain maximum sensitivity and false alarm resistance, the viewing windows of the detector must be kept relatively clean. Refer to the following procedure for cleaning instructions.

## CLEANING PROCEDURE

### CAUTION

Disable any extinguishing equipment that is connected to the unit to prevent unwanted actuation.

To clean the windows and **oi** reflector plate, use the window cleaner (p/n 001680-001) with a soft cloth, cotton swab, or tissue and refer to the following procedure:

1. **Disable any extinguishing equipment that is connected to the unit.**

### NOTE

Remove input power when cleaning the detector windows. The rubbing motion on the surface of the windows during cleaning can create static electricity that could result in unwanted output activation.

2. Clean the viewing window and reflective surfaces of the **oi** reflector plate using a clean cloth, cotton swab, or tissue with the window cleaning solution. Use Isopropyl alcohol for contaminations that the Det-Tronics window cleaning solution can not remove. If a fault condition is still indicated after cleaning, remove and clean the **oi** reflector plate using the **oi** Reflector Plate Removal and Replacement procedure.

### IMPORTANT

When used in extreme environments, the reflective surface of the detector **oi** reflector plate may eventually deteriorate, resulting in reoccurring **oi** faults and the need for **oi** reflector plate replacement.

## **oi** REFLECTOR PLATE REMOVAL AND REPLACEMENT

1. **Disable any extinguishing equipment that is connected to the unit.**
2. Loosen the two captive screws, then grasp the **oi** reflector plate by the visor and remove it from the detector. See Figure 18.
3. Install the new (or cleaned) **oi** reflector plate.
4. Recalibrate the detector's **oi** system. Refer to the Enhanced Flame Inspector manual, number 95-8751, for instructions regarding **oi** reflector plate replacement and **oi** system recalibration.

### CAUTION

Do not replace the **oi** reflector plate without also recalibrating the **oi** system.

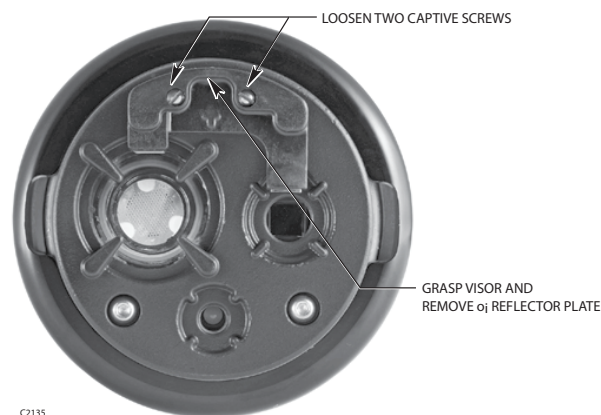


Figure 18—**oi** Reflector Plate Removal

Recalibration of the **oi** system requires the use of the Inspector Connector Cable and Inspector Monitor Software. These two items are included in the **oi** replacement kit, or they can be purchased separately. See Ordering Information for details.

## PERIODIC CHECKOUT PROCEDURE

In compliance with SIL 2, a checkout of the system using the Mag **oi** or Man **oi** feature should be performed regularly to ensure that the system is operating properly. Refer to Table 1 in the X2200 Safety manual, number 95-8672, for frequency of proof tests. To test the system, perform the "Fire Alarm Test" as described in the "Startup Procedure" section of this manual.

## CLOCK BATTERY

The real time clock has a backup battery that will operate the clock with no external power. Return the device to the factory for battery replacement if needed.

### NOTE

If the backup battery is depleted, there is no effect on the operation of the flame detector, but the time stamping of the data log may be affected.

## FEATURES

- Responds to a fire in the presence of modulated blackbody radiation (i.e., heaters, ovens, turbines) without false alarm
- High speed capability
- Built-in data logging / event monitoring, up to 1500 events (up to 1000 general, 500 alarms)
- Automatic, manual or magnetic **oi** testing
- Easily replaceable **oi** reflector plate
- Fire, fault and auxiliary relays standard
- 0 to 20 mA isolated output (optional)
- Eagle Quantum Premier LON/SLC output (optional)
- HART communication (optional)
- A tri-color LED on the detector faceplate indicates normal condition and notifies personnel of fire alarm or fault conditions
- Operates under adverse weather conditions
- Mounting arm allows easy sighting
- Integral wiring compartment for ease of installation
- Explosion-proof/flame-proof detector housing. Meets FM, CSA, ATEX, and IECEx certification requirements.
- Class A wiring per NFPA-72
- Meets NFPA-33 response requirement for under 0.5 second (available when model selected)
- 3 year warranty
- Advanced signal processing (ARC)
- RFI and EMC Directive compliant

### Associated Manuals

List of related manuals:

TITLE	FORM NUMBER
Pulse	95-8552
EQP	95-8533
SIL 2 (Safety)	95-8672
HART Addendum	95-8638
Q9033 Mounting Arm and Collar Attachment	95-8686
Enhanced Flame Inspector Software for X-Series Flame Detectors	95-8751

## SPECIFICATIONS

### OPERATING VOLTAGE—

24 Vdc nominal (18 Vdc minimum, 30 Vdc maximum).  
Maximum ripple is 2 volts peak-to-peak.

### POWER CONSUMPTION—

2.5 watts at 24 Vdc nominal;  
4.5 watts at 24 Vdc in alarm.  
2.8 watts at 30 Vdc nominal;  
5.1 watts at 30 Vdc in alarm.

Total power: 7.6 watts at 30 Vdc with EOL resistor installed.  
EOL resistor must be ceramic, wirewound type, rated 5 watts minimum, with actual power dissipation not to exceed 2.5 watts.

For HART model, refer to Addendum number 95-8638.

### POWER UP TIME—

Fault indication clears after 0.5 second; device is ready to indicate an alarm condition after 30 seconds.

### OUTPUT RELAYS—

Fire Alarm relay, Form C, 5 amperes at 30 Vdc:

The Fire Alarm relay has redundant terminals and normally open / normally closed contacts, normally de-energized operation, and latching or non-latching operation.

Fault relay, Form A, 5 amperes at 30 Vdc:

The Fault relay has redundant terminals and normally open contacts, normally energized operation, and latching or non-latching operation.

Auxiliary relay, Form C, 5 amperes at 30 Vdc:

The auxiliary relay has normally open / normally closed contacts, normally energized or de-energized operation, and latching or non-latching operation.

### CURRENT OUTPUT (Optional)—

0 to 20 milliampere ( $\pm 0.3$  mA) dc current, with a maximum loop resistance of 500 ohms from 18 to 19.9 Vdc and 600 ohms from 20 to 30 Vdc.

### LON OUTPUT—

Digital communication, transformer isolated (78.5 kbps).

### TEMPERATURE RANGE—

Operating:  $-40^{\circ}\text{F}$  to  $+167^{\circ}\text{F}$  ( $-40^{\circ}\text{C}$  to  $+75^{\circ}\text{C}$ ).  
Storage:  $-67^{\circ}\text{F}$  to  $+185^{\circ}\text{F}$  ( $-55^{\circ}\text{C}$  to  $+85^{\circ}\text{C}$ ).  
Hazardous location ratings from  $-55^{\circ}\text{C}$  to  $+75^{\circ}\text{C}$  available on flameproof model.

### HUMIDITY RANGE—

0 to 95% relative humidity, can withstand 100% condensing humidity for short periods of time.



100% REPRESENTS THE MAXIMUM DETECTION DISTANCE FOR A GIVEN FIRE. THE SENSITIVITY INCREASES AS THE ANGLE OF INCIDENCE DECREASES.

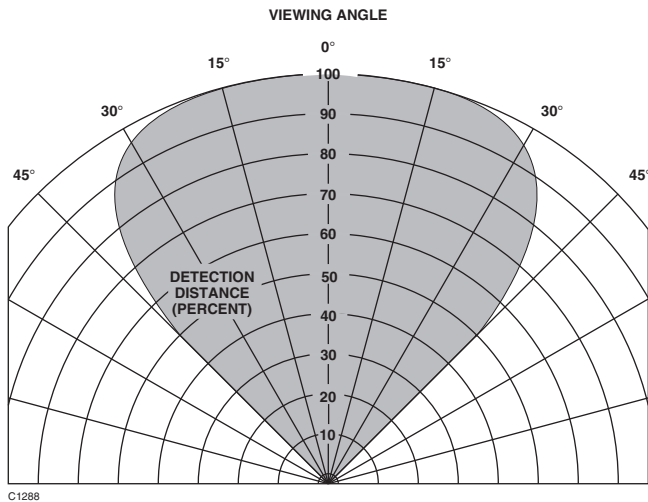


Figure 19—Detector Cone of Vision

**CONE OF VISION—**

The detector has a 90° cone of vision (horizontal) with the highest sensitivity lying along the central axis. See Figure 18.

**RESPONSE TIME—**

Less than 6 seconds. (See Appendix A for details.)

**SOURCE TUBE—**

Contains radioactive isotope Krypton 85 ( $Kr^{85}$ )  
 Calculated Activity: 14,800 Becquerels (0.4 $\mu$ Ci).

**Note: Not applicable to model X2200G.**

**ENCLOSURE MATERIAL—**

Copper-free aluminum (painted) or Stainless Steel (316/CF8M Cast).

**VIBRATION—**

Conformance per FM 3260: 2018, MIL-STD 810C (Curve AW).

**DIMENSIONS—**

See Figure 20.

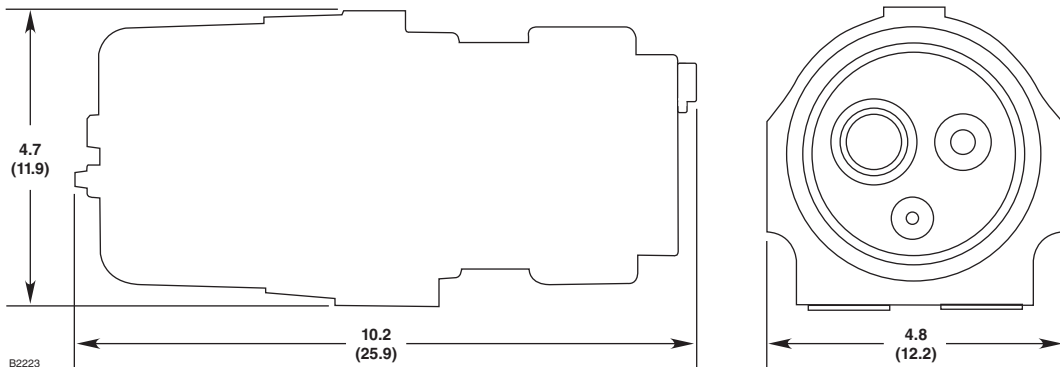


Figure 20—Dimensions in Inches (cm)

**WIRING—**

Field wiring screw terminals are UL/CSA rated for up to 14 AWG wire, and are DIN/VDE rated for 2.5 mm<sup>2</sup> wire. Screw terminal required torque is 3.5 in.-lbs. (0.4 N·m).

**Important:** 18 Vdc minimum must be available at the detector. For ambient temperatures below -10°C (14°F) and above +60°C (140°F) use field wiring suitable for both minimum and maximum ambient temperature.

**THREAD SIZE—**

Conduit connection: Four entries, 3/4 inch NPT or M25. Conduit seal not required.

**SHIPPING WEIGHT (Approximate)—**

- Aluminum: 7 pounds (3.2 kilograms)
- Stainless Steel: 14.6 pounds (6.7 kilograms)
- Mounting Arm (AL): 6 pounds (2.75 kilograms)
- Mounting Arm (SS): 14 pounds (6.4 kilograms)

**WARRANTY PERIOD—**

**3 years**

**CERTIFICATION—**



For complete approval details, refer to the appropriate Appendix:

- Appendix A - FM
- Appendix B - CSA
- Appendix C - ATEX
- Appendix D - IECEx
- Appendix E - EN54
- Appendix F - Additional Approvals
- Appendix G - Declaration of Conformity

## REPLACEMENT PARTS

The detector is not designed to be repaired in the field. If a problem should develop, refer to the "Troubleshooting" section. If it is determined that the problem is caused by an electronic defect, the device must be returned to the factory for repair.

### REPLACEMENT PARTS LIST

Part Number	Description
009208-002	oi Replacement kit for X52/X22/X98 (5 Reflector Plates) with Inspector Connector and Monitor
007307-002	Replacement oi Reflector Plate for X52/X22/X98 (requires Inspector Connector to calibrate)

## DEVICE REPAIR AND RETURN

Prior to returning devices, contact the nearest local Detector Electronics office so that a Return Material Authorization (RMA) number can be assigned. **A written statement describing the malfunction must accompany the returned device or component to assist and expedite finding the root cause of the failure. When items are being returned, please note:**

### NOTE

*Shipping personnel must be hazmat trained to pack, mark, and label the return package. Please consult your country-specific regulations.*

Pack the unit properly. Always use sufficient packing material. Where applicable, use an antistatic bag as protection from electrostatic discharge.

### NOTE

*Det-Tronics reserves the right to apply a service charge for repairing returned product damaged as a result of improper packaging.*

Return all equipment transportation prepaid to the factory in Minneapolis.

### NOTE

*It is highly recommended that a complete spare be kept on hand for field replacement to ensure continuous protection.*

## NOTE

*Radioactive material is subject to regulation. All products containing a source tube meet the definition of an "excepted package" for radioactive material under the US Department of Transportation (DOT), the International Air Transport Association (IATA), the International Civil Aviation Organization (ICAO), the International Maritime Dangerous Goods Code (IMDG), and any other specific hazardous material regulations from the country of source of return (TDG, RID, ADR, etc.). These units are classified as "UN2911, Radioactive Material, Excepted Package – Article." **Not applicable to model X2200G; not subjected to UN2911 Classification.***

## ORDERING INFORMATION

When ordering, please specify:

X2200, X2200G, or X2200M UV Flame Detector

Refer to the X2200 Series Model Matrix for details.

Q9033 Mounting Arm is required:

- Q9033A for aluminum detectors only
- Q9033B for aluminum and stainless steel detectors

## ACCESSORIES

Part Number	Description
103881-001	Converter RS485 to USB
007819-002	W6300B1003 USB Inspector Connector (Inspector Monitor software included)
009207-001	Enhanced Flame Inspector CD
103922-003	AMS TREX HART Communicator
102740-002	Magnet
008082-001	Magnet and Adapter for Extension Pole
007739-001	Magnet and Extension Pole
007240-001	Q1116A1001, Air Shield (AL)
007818-001	Q1118A1001 Aluminum Air Shield/Flange Mount (AL)
007818-002	Q1118S1001 Stainless Steel Air Shield/Flange Mount (SS)
009177-001	Q1120A1001 Paint Shield mounting ring (AL)
006097-001	Q1201 Laser
102871-001	Laser Battery, 3V Lithium (laser)
007255-001	Q1201C1001 X-Series Laser Holder (AL/Plastic)
007338-001	Q2000A1001 X-Series Weather Shield (AL)
007290-001	Q9033B Stainless Steel Mounting Arm Assembly is for aluminum and stainless steel detectors
007290-002	Q9033A Aluminum Mounting Arm Assembly is for aluminum detectors only
011385-001	Q9033 Collar Attachment
101197-001	Stop Plug, 3/4" NPT, AL
101197-004	Stop Plug, 3/4" NPT, SS
101197-005	Stop Plug, M25, AL, IP66
101197-003	Stop Plug, M25, SS, IP66
010816-001	Stop Plug, 20 Pack, 3/4"NPT, AL
010817-001	Stop Plug, 20 Pack, 3/4"NPT, SS
010818-001	Stop Plug, 20 Pack, M25, AL, IP66
010819-001	Stop Plug, 20 Pack, M25, SS, IP66
103363-001	14 mm Hex Wrench (Steel)
103406-001	Screwdriver
001680-001	Window cleaner (6 pack)
107427-040	O-ring - Rear Cover (Viton) - black or brown
005003-001	1 oz grease for detectors (silicone-free)
104346-154	O-ring - Rear Cover (Fluorosilicone) - blue
012549-001	1 oz PTFE silicone-free lubricant

## X2200 SERIES MODEL MATRIX

MODEL	DESCRIPTION
<b>X2200</b>	UV Flame Detector
<b>X2200G</b>	UV Flame Detector with Kr85 Free Source Tube
<b>X2200M</b>	UV Flame Detector with Molybdenum Tube
TYPE	MATERIAL
<b>A</b>	Aluminum
<b>S</b>	Stainless Steel (316)
TYPE	THREAD TYPE
<b>4M</b>	4 Port, Metric M25
<b>4N</b>	4 Port, 3/4" NPT
TYPE	OUTPUTS
<b>11</b>	Relay
<b>13</b>	Relay and 0-20 mA
<b>14</b>	Eagle Quantum Premier (EQP)
<b>15</b>	Relay and Pulse
<b>23</b>	HART, Relay and 0-20 mA
<b>24</b>	Eagle Quantum
TYPE	APPROVALS*
<b>T</b>	SIL/FM/CSA/ATEX/IECEX
<b>W</b>	FM/CSA/ATEX/IECEX
<b>S</b>	SIL
<b>E</b>	ATEX/IECEX
<b>B</b>	INMETRO (Brazil)
<b>R</b>	VNIIP0/VNIIFTRI (Russia)
TYPE	CLASSIFICATION
<b>1</b>	Division/Zone Ex d e
<b>2</b>	Division/Zone Ex d

\*Type Approvals can use one or more letters to designate the approvals of the product.

# APPENDIX A

## FM APPROVAL AND PERFORMANCE REPORT

THE FOLLOWING ITEMS, FUNCTIONS, AND OPTIONS DESCRIBE THE FM APPROVAL FOR THE X2200, X2200G AND X2200M:

- Explosion-proof for Class I, Div. 1, Groups B, C, and D (T5) Hazardous (Classified) Locations per FM 3615.
- Dust-ignition proof for Class II/III, Div. 1, Groups E, F, and G (T5) Hazardous (Classified) Locations per FM 3615.
- Nonincendive for Class I, Div. 2, Groups A, B, C, and D (T3) Hazardous (Classified) Locations per FM 3611.
- Nonincendive for Class II, Div. 2, Groups F and G (T3) Hazardous (Classified) Locations per FM 3611.
- Enclosure rating NEMA/Type 4X per NEMA 250.
- Ambient Temperature Limits: -40°F to +167°F (-40°C to +75°C).
- Automatic Fire Alarm Signaling Performance verified per FM 3260 (2018).

Flameproof per ANSI/ISA 60079-0, -1, -7, -31

Class I, Zone 1, AEx db eb IIC T6...T5

T6 (Tamb -40°C to +60°C)

T5 (Tamb -40°C to +75°C)

Zone 21, AEx tb IIIC T80°C

Tamb -40°C to +75°C

IP66/IP67

Class I, Zone 1, AEx db IIC T6...T5

T6 (Tamb -40°C to +60°C)

T5 (Tamb -40°C to +75°C)

Zone 21, AEx tb IIIC T80°C

Tamb -40°C to +75°C

IP66/IP67

The following accessories are FM approved for use with the X2200, X2200G and X2200M Flame Detectors:

Part Number	Description
102740-002	Magnet
007739-001	Magnet and Extension Pole
007290-001	Q9033B Stainless Steel Mounting Arm Assembly is for aluminum and stainless steel detectors
007290-002	Q9033A Aluminum Mounting Arm Assembly is for aluminum detectors only
011385-001	Q9033 Collar Attachment

The following performance criteria were verified:

### AUTOMATIC OPTICAL INTEGRITY TEST:

The detector generated an optical fault in the presence of contamination on any single or combination of lens surfaces resulting in a loss of approximately 50% of its detection range, verifying that the detector performs a calibrated Automatic **oi** test for each sensor. Upon removal of the contamination, the detector fault was cleared and the detector was verified to detect a fire.

### MANUAL OPTICAL INTEGRITY TEST:

The Manual / Magnetic **oi** performs the same calibrated test as the Automatic **oi**, and additionally actuates the alarm relay to verify output operation. If there is a 50% loss of its detection range, an alarm signal is not generated.

The **oi** test procedure, as described in the "Magnetic **oi** / Manual **oi**" section of this instruction manual, is the approved external optical test method for this detector to verify end-to-end detector function. This test replaces the function and need of a traditional external test lamp.

## FM Approval and Performance Report – Continued

### X2200 and X2200G RESPONSE CHARACTERISTICS

#### Very High Sensitivity

Fuel	Size	Distance feet (m)	Average Response Time (seconds)*	Mode
n-Heptane	1 x 1 foot	85 (25.9)	3	Low Arc
Methane	32 inch plume	100 (30.5)	2	Low Arc

\*Add 2 seconds for EQP model.

#### High Sensitivity

Fuel	Size	Distance feet (m)	Average Response Time (seconds)*	Mode
n-Heptane	1 x 1 foot	60 (18.3)	2	Standard
n-Heptane	1 x 1 foot	60 (18.3)	2	Hi Arc
n-Heptane	1 x 1 foot	60 (18.3)	7	Very Hi Arc
Methane	32 inch plume	70 (21.3)	2	Standard
Methane	32 inch plume	70 (21.3)	2	Hi Arc
Methane	32 inch plume	70 (21.3)	2	Very Hi Arc

\*Add 2 seconds for EQP model.

#### Medium Sensitivity

Fuel	Size	Distance feet (m)	Average Response Time (seconds)*	Mode
n-Heptane	1 x 1 foot	35 (10.6)	2	Standard
n-Heptane	1 x 1 foot	50 (15.2)	3	Hi Arc
Methane	1 x 1 foot	55 (16.8)	2	Standard
Methane	32 inch plume	55 (16.8)	2	Hi Arc

\*Add 2 seconds for EQP model.

### X2200 and X2200G RESPONSE CHARACTERISTICS IN THE PRESENCE OF FALSE ALARM SOURCES

#### Very High Sensitivity (Standard Mode)

False Alarm Source	Distance feet (m)	Fire Source	Distance feet (m)	Average Response Time (seconds)*
Sunlight, direct, modulated, reflected	—	6-inch propane	10 (3)	<30
6 kw heater, modulated & unmodulated	10 (3)	1 x 1 foot n-Heptane	75 (22.9)	1
250 w vapor lamp, modulated & unmodulated	3 (0.9)	1 x 1 foot n-Heptane	75 (22.9)	1
300 w incandescent lamp, modulated & unmodulated	3 (0.9)	1 x 1 foot n-Heptane	75 (22.9)	1
1500 w electric radiant heater, modulated & unmodulated	10 (3)	1 x 1 foot n-Heptane	75 (22.9)	1
2-34 w fluorescent lamps, modulated & unmodulated	3 (0.9)	1 x 1 foot n-Heptane	75 (22.9)	1

\*Add 2 seconds for EQP model.

### X2200 and X2200G FALSE ALARM IMMUNITY

#### Very High Sensitivity (Standard Mode)

False Alarm Source	Distance feet (m)	Modulated Response	Unmodulated Response
Sunlight, direct, modulated, reflected	—	No Alarm	No Alarm
Vibration	N/A	No Alarm	No Alarm
6 kw heater	3 (0.9)	No Alarm	No Alarm
250 w vapor lamp	3 (0.9)	No Alarm	No Alarm
300 w incandescent lamp	3 (0.9)	No Alarm	No Alarm
1500 w electric radiant heater	3 (0.9)	No Alarm	No Alarm
2-34 w fluorescent lamps	3 (0.9)	No Alarm	No Alarm



## FM Approval and Performance Report – Continued

### X2200 and X2200G Field of View

#### Very High Sensitivity

Fuel	Size	Distance feet (m)	Horizontal (degrees)	Average Response Time (seconds)*	Vertical (degrees)	Average Response (seconds)*	Mode
n-Heptane	1 x 1 foot	42.5 (13)	+45	2	+45	2	Low Arc
			-45	2	-30	2	
Methane	32 inch plume	50 (15.2)	+45	2	+45	2	Low Arc
			-45	2	-30	2	

\*Add 2 seconds for EQP model.

#### High Sensitivity

Fuel	Size	Distance feet (m)	Horizontal (degrees)	Average Response Time (seconds)*	Vertical (degrees)	Average Response (seconds)*	Mode
n-Heptane	1 x 1 foot	30 (9.1)	+45	1	+45	1	Standard
			-45	1	-30	1	
n-Heptane	1 x 1 foot	30 (9.1)	+45	1	+45	1	Hi Arc
			-45	1	-30	1	
n-Heptane	1 x 1 foot	30 (9.1)	+45	2	+45	2	Very Hi Arc
			-45	2	-30	2	
Methane	32 inch plume	40 (12.2)	+45	1	+45	1	Standard
			-45	1	-30	1	
Methane	32 inch plume	40 (12.2)	+45	1	+45	1	Hi Arc
			-45	1	-30	1	
Methane	32 inch plume	35 (10.7)	+45	1	+45	1	Very Hi Arc
			-45	1	-30	1	

\*Add 2 seconds for EQP model.

#### Medium Sensitivity

Fuel	Size	Distance feet (m)	Horizontal (degrees)	Average Response Time (seconds)*	Vertical (degrees)	Average Response (seconds)*	Mode
n-Heptane	1 x 1 foot	17.5 (5.3)	+45	1	+45	1	Standard
			-45	1	-30	1	
n-Heptane	1 x 1 foot	25 (7.6)	+45	1	+45	1	Hi Arc
			-45	1	-30	1	
Methane	32 inch plume	30 (9.1)	+45	2	+45	2	Standard
			-45	2	-30	2	
Methane	32 inch plume	30 (9.1)	+45	1	+45	1	Hi Arc
			-45	1	-30	1	

\*Add 2 seconds for EQP model.

## FM Approval and Performance Report – Continued

### MODEL X2200M

The X2200M uses a sensor that has a broader spectrum than the standard sensor. It is designed to detect fires with unusual chemistry such as black powder. Consult factory for usage recommendations.

### X2200M RESPONSE CHARACTERISTICS

#### High Sensitivity

Fuel	Size	Distance feet (m)	Average Response Time (seconds)	Mode
Black Powder	40 grams	10 (3)	0.1	Standard

### X2200M RESPONSE CHARACTERISTICS IN THE PRESENCE OF FALSE ALARMS

#### High Sensitivity (Standard Mode)

False Alarm Source	Distance feet (m)	Fire Source	Distance feet (m)	Average Response Time (seconds)
Sunlight, direct, reflected, modulated & unmodulated	—	2-inch dia n-Heptane	10 (3)	<15
70 w sodium vapor lamp, modulated & unmodulated	3 (0.9)	1 x 1 foot n-Heptane	40 (12)	0.1
250 w vapor lamp, modulated & unmodulated	3 (0.9)	1 x 1 foot n-Heptane	40 (12)	0.1
300 w incandescent lamp, modulated & unmodulated	3 (0.9)	1 x 1 foot n-Heptane	40 (12)	0.1
500 w halogen lamp, modulated & unmodulated	3 (0.9)	1 x 1 foot n-Heptane	40 (12)	0.1
1500 w electric radiant heater, modulated & unmodulated	10 (3)	1 x 1 foot n-Heptane	40 (12)	0.1
2-34 w fluorescent lamps, modulated & unmodulated	3 (0.9)	1 x 1 foot n-Heptane	40 (12)	0.1

### X2200M FALSE ALARM IMMUNITY

#### High Sensitivity (Standard Mode)

False Alarm Source	Distance feet (m)	Modulated Response	Unmodulated Response
Sunlight, direct, reflected	—	No Alarm	No Alarm
70 w sodium vapor lamp	3 (0.9)	No Alarm	No Alarm
250 w vapor lamp	3 (0.9)	No Alarm	No Alarm
300 w incandescent lamp	3 (0.9)	No Alarm	No Alarm
500 w halogen lamp	3 (0.9)	No Alarm	No Alarm
1500 w electric radiant heater	3 (0.9)	No Alarm	No Alarm
2-34 w fluorescent lamps	3 (0.9)	No Alarm	No Alarm

### X2200M FIELD OF VIEW

#### High Sensitivity (Standard Mode)

Fuel	Size	Distance feet (m)	Horizontal (degrees)	Average Response Time (seconds)	Vertical (degrees)	Average Response (seconds)
Black Powder	40 grams	5 (1.5)	+45	0.1	+45	0.1
			-45	0.1	-30	0.1

# APPENDIX B

## CSA APPROVAL

### DIVISION CLASSIFICATION:

Ultraviolet Flame Detector/Controller X2200 series, rated 18-30 Vdc, 2.5 Watts to 7.6 Watts.  
Relay contacts rated 5 Amps @ 30 Vdc.

### CLASS 4818 04 - SIGNAL APPLIANCES - Systems - For Hazardous Locations

Class I, Division 1, Groups B, C, and D (T5); Class II, Division 1, Groups E, F, and G (T5);  
Class I, Division 2, Groups A, B, C, and D (T3); Class II, Division 2, Groups F and G (T3);  
Class III; Enclosure NEMA/Type 4X;

### APPLICABLE REQUIREMENTS

- CAN/CSA-C22.2 No. 0-M91 – General requirements - Canadian Electrical Code, Part II
- CAN/CSA-C22.2 No. 25-1966 – Enclosures for use in Class II Groups E,F & G Hazardous Locations
- CAN/CSA-C22.2 No. 30-M1986 – Explosion-Proof Enclosures for Use in Class I Hazardous Locations
- CAN/CSA-C22.2 No. 94-M91 – Special Purpose Enclosures
- CAN/CSA-C22.2 No. 142-M1987 – Process Control Equipment
- CAN/CSA-C22.2 No. 213-M1987 – Nonincendive Electrical Equipment for Use in Class I, Division 2 Hazardous Locations

### ZONE CLASSIFICATION:

### CLASS 4818 04 - SIGNAL APPLIANCES - Systems - For Hazardous Locations

Ex db eb IIC T6...T5

T6 (Tamb = -50°C to +60°C)

T5 (Tamb = -50°C to +75°C)

Ex tb IIIC T95°C

(Tamb = -50°C to +75°C)

Seal required adjacent to enclosure

IP66/IP67

Ex db IIC T6...T5

T6 (Tamb = -55°C to +60°C)

T5 (Tamb = -55°C to +75°C)

Ex tb IIIC T95°C

(Tamb = -55°C to +75°C)

Seal required adjacent to enclosure

IP66/IP67

### APPLICABLE REQUIREMENTS

- CAN/CSA-C22.2 No. 60079-0: 2007 – Electrical apparatus for explosive atmospheres. Part 0: General requirements
- CAN/CSA-C22.2 No. 60079-1: 2011 – Explosive atmospheres. Part 1: Equipment protection by flameproof enclosures "d"
- CAN/CSA-C22.2 No. 60079-7: 2012 – Explosive atmospheres. Part 7: Equipment protection by increased safety "e"
- CAN/CSA-C22.2 No. 60079-31: 2012 – Explosive atmospheres. Part 31: Equipment dust ignition protection by enclosure "t"

The following accessories are CSA approved for use with the X2200, X2200G, and X2200M Flame Detectors:

Part Number	Description
102740-002	Magnet
007739-001	Magnet and Extension Pole
007290-001	Q9033B Stainless Steel Mounting Arm Assembly is for aluminum and stainless steel detectors
007290-002	Q9033A Aluminum Mounting Arm Assembly is for aluminum detectors only
011385-001	Q9033 Collar Attachment


# APPENDIX C

## ATEX APPROVAL

### EC-TYPE EXAMINATION CERTIFICATE

#### DEMKO 02 ATEX 132195X

Increased Safety Model

CE 0539  II 2 G  
II 2 D

Ex db eb IIC T6...T5


Ex tb IIIC T80°C

T6 (Tamb = -50°C to +60°C)

T5 (Tamb = -50°C to +75°C)

IP66/IP67

Flameproof Model

CE 0539  II 2 G  
II 2 D

Ex db IIC T6...T5

Ex tb IIIC T80°C

T6 (Tamb = -55°C to +60°C)

T5 (Tamb = -55°C to +75°C)

IP66/IP67

#### Compliance with:

EN 60079-0: 2012+A11:2013

EN 60079-1: 2014

EN 60079-7: 2007

EN 60079-31: 2009

EN 60529:1991+A1:2000+A2:2013

### INSTALLATION INSTRUCTIONS

The field wiring connections in the terminal compartment are ATEX certified and accepts wiring specifications from 14-24 AWG, 2.5-0.2 mm<sup>2</sup>.

The flame detector shall be installed according to the instructions given by the manufacturer.

The cable entry devices shall be certified in type of explosion protection flameproof enclosure "d" for use with the terminal compartment in type of explosion protection flameproof enclosure "d," or in type of explosion protection increased safety "e" for use with the terminal compartment in type of explosion protection increased safety "e." They shall be IP66/IP67 rated, suitable for the conditions of use and correctly installed.

Unused entries shall be closed with suitable certified blanking elements.

The metal housing for the Ultraviolet (UV) flame detector must be electrically connected to earth ground.

For ambient temperatures below -10°C and above +60°C use field wiring suitable for both minimum and maximum ambient temperature.

#### Special conditions for safe use:

- The EOL resistor can only be used within the flameproof terminal compartment.
- EOL resistors must be ceramic, wirewound type, rated 5 watts minimum, with actual power dissipation not to exceed 2.5 watts.
- The Ultraviolet (UV) flame detector is to be installed in places where there is a low risk of mechanical damage.
- See the "Maintenance" section of this manual for guidance on minimizing the risk from electrostatic discharge.
- Flameproof joints are not intended to be repaired. See the "Device Repair and Return" section of this manual for more information on conducting repairs.

**NOTE**

*Operational performance verified from -40°C to +75°C.*

**NOTE**

*Refer to “EOL Resistors” section for installation details. All cable entry devices and blanking elements shall be certified to “E-generation” or “ATEX” standards, in type of explosion protection increased safety “e” or flameproof enclosure “d” (as applicable), suitable for the conditions of use and correctly installed. They shall maintain the degree of ingress protection IP66/IP67 for the apparatus. Unused conduit entries shall be closed with suitable blanking elements.*

**NOTE**

*For ATEX installations, the detector housing must be electrically connected to earth ground.*

The following accessories are ATEX approved for use with the X2200, X2200G, and X2200M Flame Detectors:

<b>Part Number</b>	<b>Description</b>
007290-001	Q9033B Stainless Steel Mounting Arm Assembly is for aluminum and stainless steel detectors
007290-002	Q9033A Aluminum Mounting Arm Assembly is for aluminum detectors only
011385-001	Q9033 Collar Attachment

# APPENDIX D

## IECEX APPROVAL

### CERTIFICATE OF CONFORMITY

#### IECEX ULD 06.0018X

Ex db eb IIC T6...T5  
Ex tb IIIC T80°C  
T6 (Tamb = -50°C to +60°C)      or      Ex db IIC T6...T5  
T5 (Tamb = -50°C to +75°C)      Ex tb IIIC T80°C  
IP66/IP67.      T6 (Tamb = -55°C to +60°C)  
IP66/IP67.      T5 (Tamb = -55°C to +75°C)  
IP66/IP67.

#### Compliance with:

IEC 60079-0: 2011, Ed. 6  
IEC 60079-1: 2014, Ed. 7  
IEC 60079-7: 2006, Ed. 4  
IEC 60079-31: 2008, Ed. 1  
IEC 60529: 2013, Ed. 2.2

### INSTALLATION INSTRUCTIONS

The field wiring connections in the terminal compartment are suitable certified and accepts wiring specifications from 14-24 AWG or 2.5-0.2 mm<sup>2</sup>.

The flame detector shall be installed according to the instructions given by the manufacturer.

The cable entry devices shall be certified in type of explosion protection flameproof enclosure "d" for use with the terminal compartment in type of explosion protection flameproof enclosure "d," or in type of explosion protection increased safety "e" for use with the terminal compartment in type of explosion protection increased safety "e." They shall be IP66/IP67 rated, suitable for the conditions of use and correctly installed.

Unused entries shall be closed with suitable certified blanking elements.

The metal housing for the Ultraviolet (UV) flame detector must be electrically connected to earth ground.

For ambient temperatures below -10°C and above +60°C use field wiring suitable for both minimum and maximum ambient temperature.

#### Special conditions for safe use:

- The EOL resistor can only be used within the flameproof terminal compartment.
- EOL resistors must be ceramic, wirewound type, rated 5 watts minimum, with actual power dissipation not to exceed 2.5 watts.
- The Ultraviolet (UV) flame detector is to be installed in places where there is a low risk of mechanical damage.
- See the "Maintenance" section of this manual for guidance on minimizing the risk from electrostatic discharge.
- Flameproof joints are not intended to be repaired. See the "Device Repair and Return" section of this manual for more information on conducting repairs.

The following accessories are IECEx approved for use with the X2200, X2200G, and X2200M Flame Detectors:

Part Number	Description
007290-001	Q9033B Stainless Steel Mounting Arm Assembly is for aluminum and stainless steel detectors
007290-002	Q9033A Aluminum Mounting Arm Assembly is for aluminum detectors only
011385-001	Q9033 Collar Attachment



# APPENDIX E

## EN54 APPROVALS

### APPLICABLE TO MODEL X2200

Certification Bodies	Conventional Output		LON Output	
	Certificate/Approval Number	Basis of Approval	Certificate/Approval Number	Basis of Approval
VdS – Construction Product Regulation	—	—	—	—
VdS	G 203083	VdS 2344 VdS 2504 EN 54-10 + A1	—	—
BRE – Construction Product Regulation	0832 - CPR - F1841	EN 54-10 + A1	0832 – CPR – F1840	EN 54-10 + A1 EN 54-17
LPCB	973e/04	EN 54-10 + A1	973a/04	EN 54-10 + A1 EN 54-17

### APPLICABLE TO MODEL X2200G

Certification Bodies	Conventional Output		LON Output	
	Certificate/Approval Number	Basis of Approval	Certificate/Approval Number	Basis of Approval
VdS – Construction Product Regulation	—	—	—	—
VdS	G 203083	VdS 2344 VdS 2504 EN 54-10 + A1	—	—
BRE – Construction Product Regulation	0832 – CPR – F1686	EN 54-10 + A1	0832 – CPR – F1687	EN 54-10 + A1 EN 54-17
LPCB	973e/06	EN 54-10 + A1	973a/06	EN 54-10 + A1 EN 54-17

### INSTRUCTIONS FOR THE APPLICATION OF THE APPROVAL COMPONENT/SYSTEM

The installation of the X2200 and X2200G flame detectors meet the directional dependence requirements of EN 54-10, Clause 5.4 for any  $\beta$  angle when the  $\alpha$  angle does not exceed  $\pm 30^\circ$  (total field of view =  $60^\circ$ ).

A maximum achievable horizontal  $\alpha$  angle of  $\pm 45^\circ$  (total Horizontal field of view =  $90^\circ$ ) was obtainable with a  $\beta$  angle of  $0^\circ$  (unit mounted in the upright position).

**The X2200 and X2200G flame detectors are EN 54-10 approved for any combination of the following settings described for each Class:**

Setting	Class 1 (25 m)	Class 2 (17 m)	Class 3 (12 m)
UV Sensitivity	High or Very High	Medium, High, or Very High	Low, Medium, High, or Very High
ARC Rejection	Low, Medium, High, or Very High	Low, Medium, High, or Very High	Low, Medium, High, or Very High

The following accessories are EN54-10 and EN54-17 approved for use with X2200 and X2200G Flame Detectors:

Part Number	Description
102740-002	Magnet
007739-001	Magnet and Extension Pole
007290-001	Q9033B Stainless Steel Mounting Arm Assembly is for aluminum and stainless steel detectors
007290-002	Q9033A Aluminum Mounting Arm Assembly is for aluminum detectors only
011385-001	Q9033 Collar Attachment

# APPENDIX F

## ADDITIONAL APPROVALS

### SIL 2



IEC 61508

Certified SIL 2 Capable.

Applies to specific models – refer to the SIL 2 Certified X2200 Safety Manual (95-8672) for details.

### RUSSIA & KAZAKHSTAN



VNIIFTRI

CERTIFICATE OF CONFORMITY TO TP TC 012/2011

TC RU C-US. ГБ06.B.00158

2ExdIICT6/T5 IP66

T6 (Tamb = -55°C to +60°C)

T5 (Tamb = -55°C to +75°C)

- OR -

1ExdIICT6/T5IP66

T6 (Tamb = -55°C to +60°C)

T5 (Tamb = -55°C to +75°C)

### RUSSIA



VNIIPO

CERTIFICATE OF CONFORMITY TO TECHNICAL REGULATIONS, GOST R 53325-2012

C-US.ПБ01.B.02841

### BRAZIL



UL-BR 17.0216X

Ex db eb IIC T6...T5

Ex tb IIIC T80°C

T6 (Tamb -50°C TO +60°C)

T5 (Tamb -50°C TO +75°C)

IP66/IP67

- OR -

Ex db IIC T6...T5

Ex tb IIIC T80°C

T6 (Tamb -55°C TO +60°C)

T5 (Tamb -55°C TO +75°C)

IP66/IP67

### FRANCE



AFNOR Identification No: LUV 002 A0.

For specific information regarding the X2200G Flame Detector's conformity to NF EN54-10, reference Addendum number 95-8699.

# APPENDIX G

## DECLARATION OF CONFORMITY



EU Declaration of Conformity

### Model X2200 Series (Ultraviolet Flame Detector)

The object of the declaration described above is in conformity with the relevant Union harmonisation legislation:

ATEX Directive: 2014/34/EU  
Certificate No.: DEMKO 01 ATEX 132195X  
Issued by: DEMKO

EN 60079-0:2012+A11:2013  
EN 60079-1:2014  
EN 60079-7:2007

A review of EN 60079-7:2015 was conducted and no technical changes were found to be applicable to the product. Therefore, EN 60079-7:2007 remains "state of the art"

EN 60079-31:2009

A review of EN 60079-31:2014 was conducted and no technical changes were found to be applicable to the product. Therefore, EN 60079-31:2009 remains "state of the art"

EN 60529:1991+A1:2000+A2:2013

EMC Directive: 2014/30/EU

EN 61000-6-2:2005  
EN 61000-6-4:2007  
EN 50130-4:2011

RoHS Directive: 2011/65/EU

EN 50581:2012

Radiological protection – Sealed radioactive sources  
(not applicable to X2200G)

ISO 2919:2012

Construction Products Regulation (EU) 305/2011  
Certificate No.: 0832-CPR-F1841 ( X2200 Only)  
Certificate No.: 0832-CPR-F1686 ( X2200G Only)  
\*Certificate No.: 0832-CPR-F1840 ( X2200 Only)  
\*Certificate No.: 0832-CPR-F1687 ( X2200G Only)  
Issued by: BRE

EN 54-10:2002+A1:2005  
\*EN 54-17:2005/AC:2007  
\*Applicable to EQP Model(s) Only

QAN by:

UL International DEMKO A/S, NB. No. 0539  
Borupvang 5A, 2750 Ballerup, Denmark



II 2 G Ex db IIC T6...T5 IP66/IP67



II 2 G Ex db eb IIC T6...T5 IP66/IP67



II 2 D Ex tb IIIC T80°C IP66/IP67

This declaration of conformity is issued under the sole responsibility of the manufacturer  
Signature:

2019-05-10

Meghan Olson  
Global Approvals Lead



95-8549



FlexSonic® Acoustic  
Leak Detector



X3301 Multispectrum  
IR Flame Detector



PointWatch Eclipse® IR  
Combustible Gas Detector



FlexVu® Universal Display  
with GT3000 Toxic Gas Detector



Eagle Quantum Premier®  
Safety System

Specifications subject to change without notice.

All trademarks are the property of their respective owners.  
© 2020 Detector Electronics Corporation. All rights reserved.

Det-Tronics manufacturing system is certified to ISO 9001—  
the world's most recognized quality management standard.



**Corporate Office**  
6901 West 110<sup>th</sup> Street  
Minneapolis, MN 55438 USA  
[www.det-tronics.com](http://www.det-tronics.com)

Phone: +1 952.941.6665  
Toll-free: +1 800.765.3473  
Fax: 952.829.8750  
[det-tronics@carrier.com](mailto:det-tronics@carrier.com)